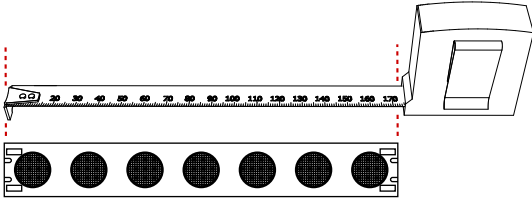




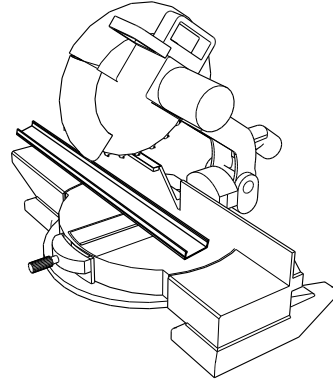
FLOPTIX™

INSTALLATION INSTRUCTIONS

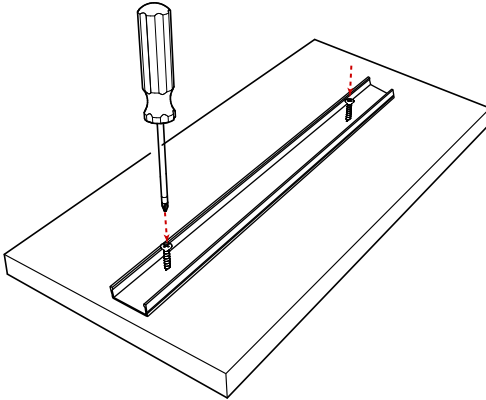
- ① Measure length between power feed and end cap.



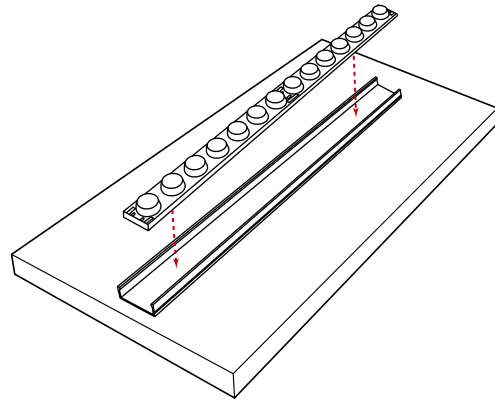
- ② Cut channel to length measured in previous step.



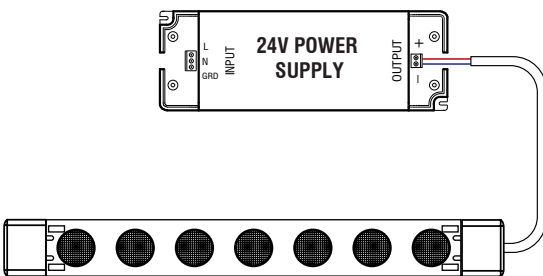
- ③ Screw channel to mounting surface.



- ④ Push LED strip into channel.



- ⑤ Connect Floptix to power supply.



- ⑥ Connect power supply to power source.

