



UniCAB

INSTALLATION INSTRUCTIONS

- 1 **WARNING—SHOCK HAZARD!**
BEFORE CONNECTING, TURN AC POWER OFF AT CIRCUIT BREAKER
Failure to do so may result in serious injury or death.



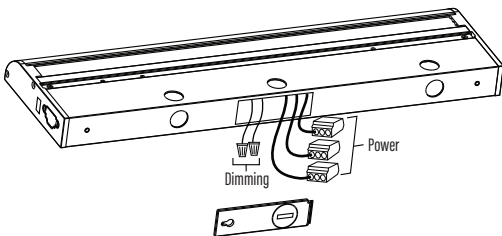
- 2 **SAFETY PRECAUTIONS:**
Products should be installed and serviced by a qualified, licensed electrician in accordance with applicable local and national electrical safety codes.

Never install within 10ft or less from the nearest edge of a pool, spa, fountain, or similar location.

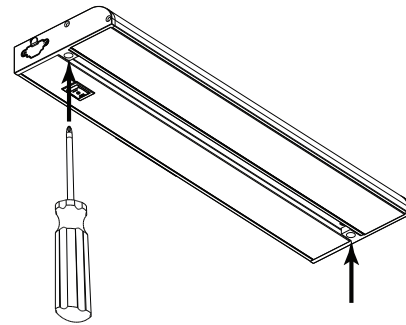
Never use currents or voltages that are not compatible.

Never modify or take apart KELVIX components beyond instructions or the warranty will be void.

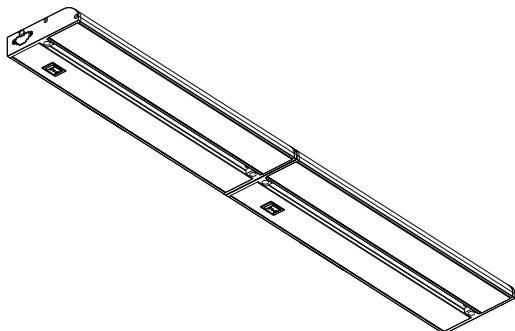
- 3 For hardwiring remove back plate to expose connecting wires.



- 4 Mount fixture to desired surface with captive screws.



- 5 If flush connecting fixtures install dimming and power connectors first then mount fixture to ensure proper alignment.



- 6 If jump connecting mount fixtures first then connect dimming and power jump connectors.

