



# Z7—ZOLO™ 7

## INDOOR/OUTDOOR LED WASHER/GRAZER

Fixture Type: \_\_\_\_\_

Project: \_\_\_\_\_

Location: \_\_\_\_\_

### PRODUCT FEATURES

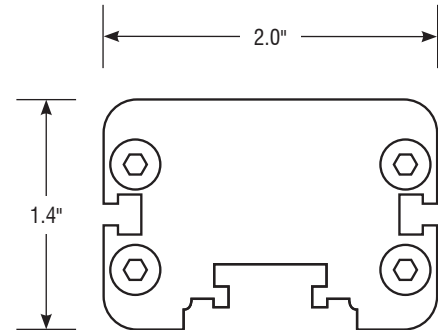
- High Purity Tempered Glass
- Extruded Aluminum Alloy Housing
- Available in Titanium Gray, Black or White Finish
- Multi Volt 24VDC Remote Driver (Sold Separately)
- Daisy Chain Multiple Fixtures
- IP66 Outdoor Rated
- Louver Options Available



Pictured with Optional [ALV] Asymmetric Louver

### SPECIFICATIONS

Input Voltage	24VDC / Constant Voltage
Watts per Foot	11W (Custom Wattages Available—Consult Factory)
Lumen per Watt	100 lm/W
Lumen per Foot	1100 lm/ft
Beam Spread	10° × 50°, 20° × 40°, 10°, 15°, 30°, 60°
Max Run Length	Up to 96W per Power Feed
Dimensions	2.0" (50mm) × 1.4" (34.5mm) × Variable (see below)
CRI	85 (Custom CRI Available—Consult Factory)
Dimming Options	PWM, Triac, 0–10V, DMX, Hi-Lume
Temp Range	-40°F (-40°C) to 140°F (60°C)



### ORDERING INFORMATION

Example: Z7-2-11W-30K-1050-S2-TG-NA

Item	Length	Output	CCT	Beam Angle	Mounting	Finish	Option
<b>Z7</b>	<b>2</b>	<b>11W</b>	<b>30K</b>	<b>1050</b>	<b>S2</b>	<b>TG</b>	<b>NA</b>
Zolo-7	1—1ft 2—2ft 3—3ft 4—4ft	11W—11W/ft <i>*Custom Wattages Available</i>	30K—3000K 35K—3500K 40K—4000K <i>*Custom CCT Available</i>	1050—10° × 50° 2040—20° × 40° 10—10° 15—15° 30—30° 60—60°	S2—2" S3—3" CP—Mounting Clip	TG—Titanium Gray BK—Black WH—White	NA—None LV—Louver ALV—Asymmetric Louver

Conforms to ANSI/UL Standard 2108  
Certified to CAN/CSA Standard C22.2 No. 250.0





# Z7—ZOLO™ 7 OPTIONS

FOR USE WITH ZOLO 7

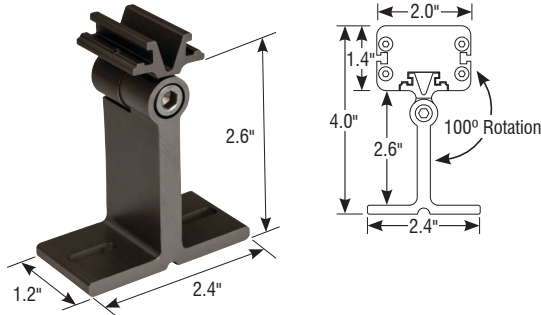
Fixture Type: \_\_\_\_\_

Project: \_\_\_\_\_

Location: \_\_\_\_\_

## MOUNTING OPTIONS

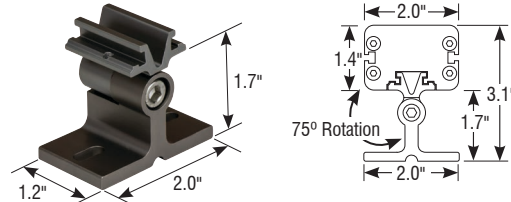
### 3" STAND OFF



#### SPECIFICATIONS

Option	Z-07-S3	Foot Width	2.4"
Stand Off Height	2.6"	Foot Length	1.2"

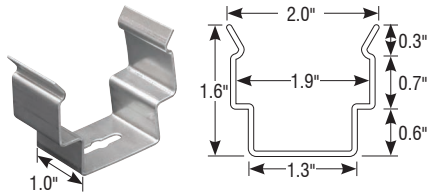
### 2" STAND OFF



#### SPECIFICATIONS

Option	Z-07-S2	Foot Width	2.0"
Stand Off Height	1.7"	Foot Length	1.2"

### MOUNTING CLIP



#### SPECIFICATIONS

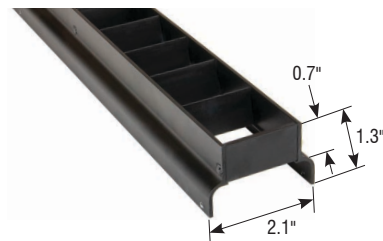
Option	Z-07-CP
Overall Width	2.0"
Overall Height	1.6"

### FINISH OPTIONS



## GLARE OPTIONS

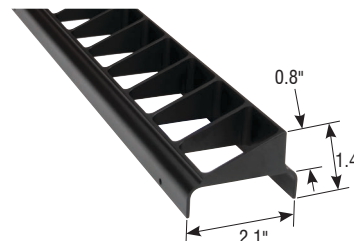
### LOUVER



#### SPECIFICATIONS

Option	Z-07-LV	Overall Height	1.3"
Louver Height	0.7"	Louver Width	2.1"

### ASYMMETRIC LOUVER



#### SPECIFICATIONS

Option	Z-07-ALV	Overall Height	1.4"
Louver Height	0.8"	Louver Width	2.1"



# Z7—ZOLO™ 7 OPTIONS

FOR USE WITH ZOLO 7

Fixture Type: \_\_\_\_\_

Project: \_\_\_\_\_

Location: \_\_\_\_\_

## POWER LEAD

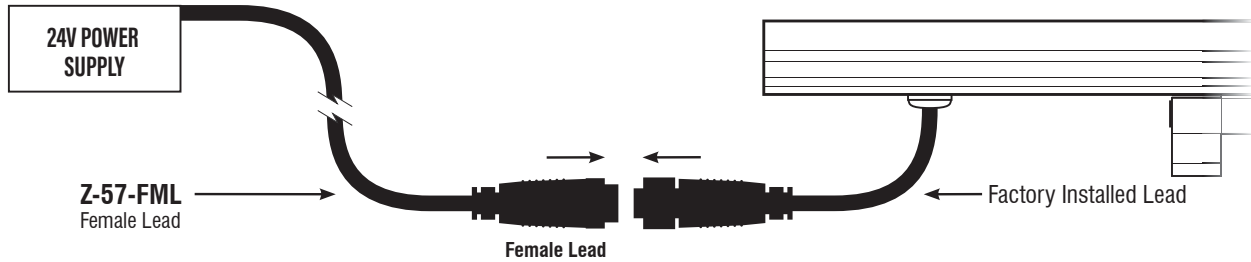
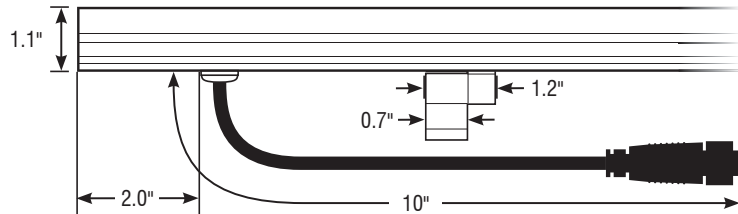
**REQUIRED ITEM!** Connects a Zolo or group of Zolo fixtures to the power supply. Please specify length.

### POWER LEAD CABLE

Connects Factory Installed Lead to Power Supply

#### SPECIFICATIONS

Option Z-57-FML-6	Option Z-57-FML-20
Length 6ft	Length 20ft
Option Z-57-FML-50	
Length 50ft	



## CONNECTOR

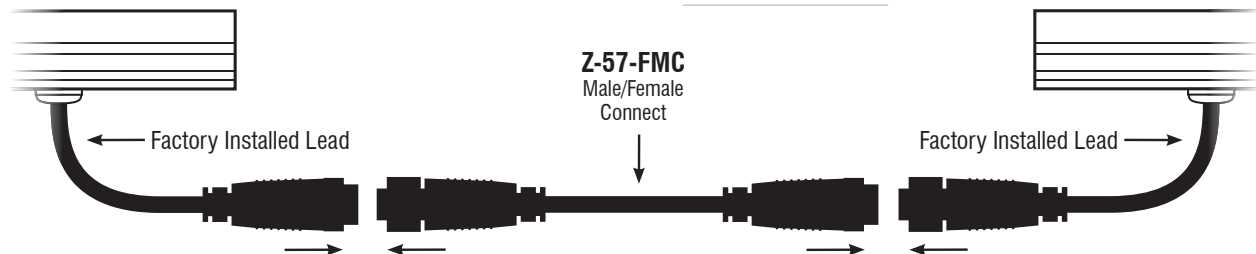
### ZOLO INTERCONNECT CABLES

Daisy Chains Multiple Fixtures



#### SPECIFICATIONS

Option Z-57-FMC-1	Option Z-57-FMC-2
Length 1ft	Length 2ft
Option Z-57-FMC-6	
Length 6ft	





# 77—ZOLO™ 7 WIRING OPTIONS

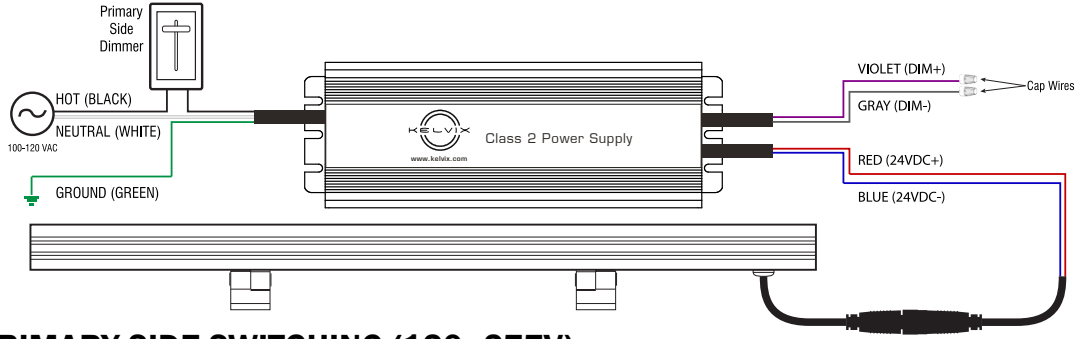
INDOOR/OUTDOOR LED WASHER/GRAZER

Fixture Type: \_\_\_\_\_

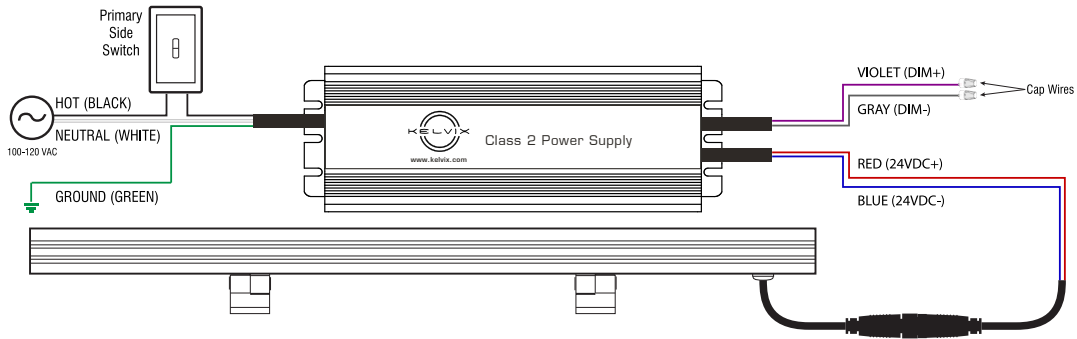
Project: \_\_\_\_\_

Location: \_\_\_\_\_

## PRIMARY SIDE DIMMING (120V ONLY)



## PRIMARY SIDE SWITCHING (120-277V)



## 0-10V DIMMING (120-277V)

