



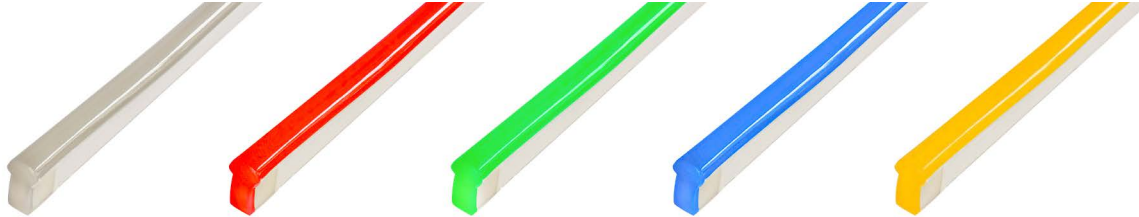
# SIGNWAVE™ 5 (INDOOR/OUTDOOR)

SW5-SERIES | FLEXIBLE LIGHTING SYSTEM

Fixture Type: \_\_\_\_\_

Project: \_\_\_\_\_

Location: \_\_\_\_\_



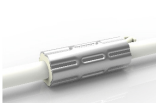
| Color/Kelvin         | WHITE (Specify CCT) | RED        | GREEN      | BLUE       | AMBER      | RGBW       | CT (2500+5000K) |
|----------------------|---------------------|------------|------------|------------|------------|------------|-----------------|
| Wavelength           | N/A                 | 620-630nm  | 520-530nm  | 465-475nm  | 585-595nm  | N/A        | N/A             |
| Wattage              | 3.7W/ft             | 2.2W/ft    | 3.7W/ft    | 3.7W/ft    | 2.2W/ft    | 4.6W/ft    | 3.7W/ft         |
| Power Feed           | Every 32ft          | Every 50ft | Every 32ft | Every 32ft | Every 50ft | Every 16ft | Every 32ft      |
| Production Intervals | 3.25"               | 4.938"     | 3.25"      | 3.25"      | 4.938"     | 4.938"     | 3.25"           |

## PRODUCT FEATURES

- Dimmable
- 50,000 hour life
- Domed profile for large beam angle
- UL-listed for indoor and outdoor use
- IP67 or IP68 option
- Factory-installed power feed
- Injection-molded flush end caps
- For use with 24V power supplies

## SPECIFICATIONS

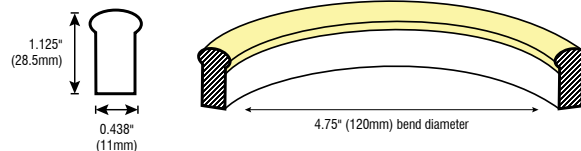
|                 |   |
|-----------------|---|
| Series          | SW5 - Signwave™ 5                           |
| Input Voltage   | 24V DC                                      |
| Lumens          | 162 Lm/ft                                   |
| Max Run Length  | Unlimited, Refer to <b>Power Feed</b> Above |
| Beam Angle      | 320°  |
| Dimensions      | 0.438"(11.5mm) × 1.125"(29mm)               |
| CRI             | 80+   |
| Dimming Options | PWM, Triac, 0-10V, DMX, Hi-lume             |
| Temp Range      | -4°F (-20°C) to 113°F (45°C)                |



Dry Wire ferrule located 115mm (+/- 5mm) from the cable connector. Protects against damage from water ingress inside cable wire.

Included in every run.

## DOMED PROFILE DIMENSIONS



Conforms to ANSI/UL Standard 2108  
 Certified to CAN/CSA Standard C22.2 No. 250.0

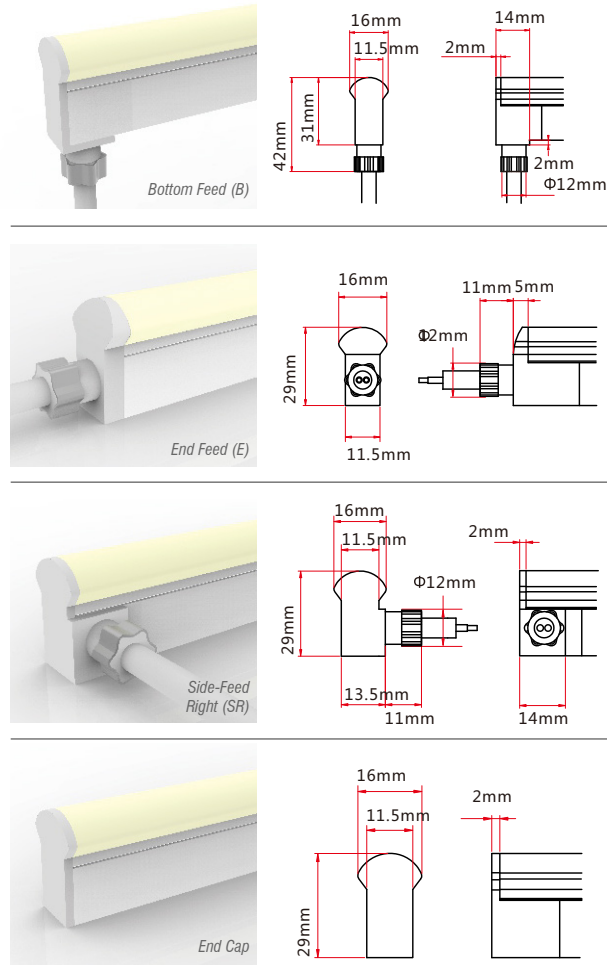




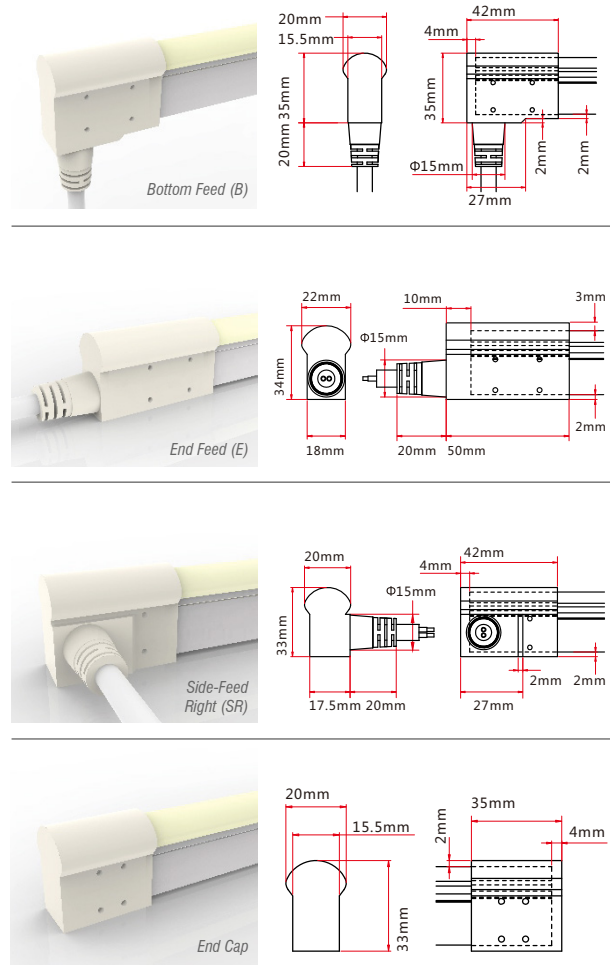
# SIGNWAVE™ 5 (INDOOR/OUTDOOR)

SW5-SERIES | FLEXIBLE LIGHTING SYSTEM

## IP67 OPTIONS



## IP68 OPTIONS



## ORDERING INFORMATION

Example: SW5-36-CT-SL-24-IP68

| Series | Length<br>(Unlimited) | Color  | Feed Point   | Feed Length  | Rating       |
|--------|-----------------------|--|--|--|--------------|
| SW5    |                       |  |  |  |              |
| SW5    | Inches                | 27K - 2700K<br>30K - 3000K<br>35K - 3500K<br>40K - 4000K<br>45K - 4500K<br>50K - 5000K<br>RD - Red<br>GRN - Green<br>BL - Blue<br>AM - Amber<br>RGBW - Color Changing<br>CT - Color Tuning | B - Bottom Feed<br>SL - Side-Feed Left<br>SR - Side-Feed Right<br>E - End Feed | S - Standard (118 inch)<br>Inches - Custom length<br>(inches). | IP67<br>IP68 |



# SIGNWAVE™ E-ACCESSORIES

FOR SIGNWAVE™ 1, 2, 5, 7 SERIES LIGHTING SYSTEM

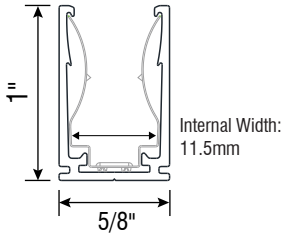
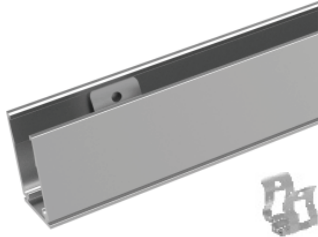
Fixture Type: \_\_\_\_\_

Project: \_\_\_\_\_

Location: \_\_\_\_\_

## SW-E-CH-AL-2M

(2-meter aluminum mounting channel)

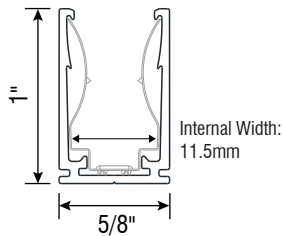


### SPECIFICATIONS

|                |                |
|----------------|----------------|
| Model          | SW-E-CH-AL-2M  |
| Material       | Aluminum       |
| Length         | 2m (78-3/4")   |
| Width          | 16.2mm (5/8")  |
| Height         | 25.6mm (1")    |
| Internal Width | 11.5mm (7/16") |

## SW-E-CLP-AL

(1.5-inch aluminum mounting clip)

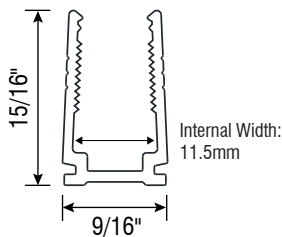
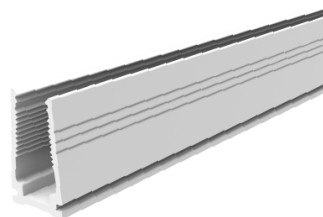


### SPECIFICATIONS

|                |                 |
|----------------|-----------------|
| Model          | SW-E-CLP-AL     |
| Material       | Aluminum        |
| Length         | 38.1mm (1-1/2") |
| Width          | 16.2mm (5/8")   |
| Height         | 25.6mm (1")     |
| Internal Width | 11.5mm (7/16")  |

## SW-E-CH-PL-2M

(2-meter plastic mounting clip)



### SPECIFICATIONS

|                |                |
|----------------|----------------|
| Model          | SW-E-CH-PL-2M  |
| Material       | Plastic        |
| Length         | 2m (78-3/4")   |
| Width          | 14mm (9/16")   |
| Height         | 24mm (15/16")  |
| Internal Width | 11.5mm (7/16") |