



RFC-WIFI-DMX

WIFI INTERFACE FOR DMX DECODERS

Fixture Type: _____

Project: _____

Location: _____



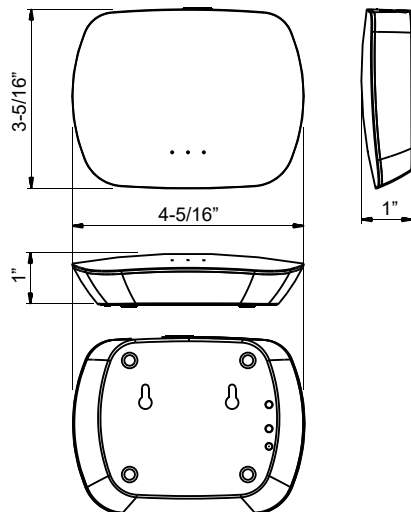
PRODUCT FEATURES

- For controlling DMX decoders via RF/Wifi controller
- Can control multiple DMX decoders
- Compatible with DMX-D series decoders
- Compatible with iOS and Android mobile apps
- Connects through router or directly to wifi device

SPECIFICATIONS

Model	RFC-WIFI-DMX
Input Voltage	12V DC
Operation Frequency	869.5 MHz
RF Range	Up to 50ft
Dimensions L*W*D	4-5/16" x 3-5/16" x 1"
IP Rating	IP20
Temp Range	-4°F to 122°F

DIMENSIONS



WIRING EXAMPLE

