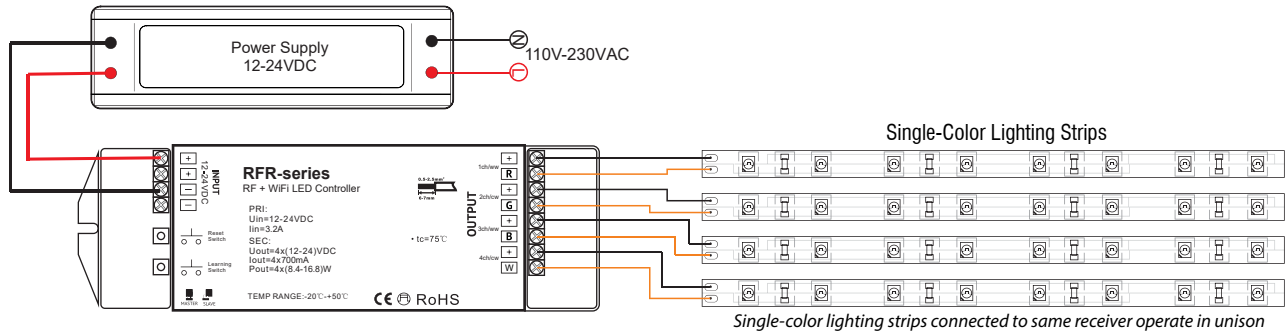




RFC-A-SC-1Z-TT-BT-B

WIRING INSTRUCTIONS

- 1 Remove the two white plastic covers and connect power supply and LED lighting strip(s) to the RF receiver as shown below:



Single-color lighting strips connected to same receiver operate in unison

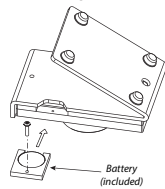
- 2 Once all connections have been made, apply power to RFR-series receiver.
- 3 Leave white plastic covers off until pairing of receiver and controller has been completed.

PAIRING INSTRUCTIONS

RFC-A-SC-1Z-TT-BT-B
Tabletop Remote Control



Fig. 1



RFR-series
RF Receiver



- 4 Confirm power to RF receiver. Pull out clear plastic tab on right side of tabletop remote to activate included 3V battery and insert provided screw (as shown above) to secure battery.
- 5 Wake up the tabletop remote by briefly pressing the remote's knob.
- 6 Tap the learn button on the RF receiver.
- 7 Press knob on tabletop remote once more. Lights in that zone will briefly flash to indicate assignment was received.*

*Steps 5-7 must be completed within a fifteen second period

- 8 Repeat steps 5-7 for any additional RF receivers and/or remote controls in the system.

Note: Multiple receivers can be assigned to the same remote control. Receivers assigned to the same remote control will function in unison.

Note: One RFR-series receiver can be paired with up to eight different handheld, tabletop, and/or in-wall remote controllers.

Note: To erase all stored pairing memory from RF receiver, press and hold the learning key for five seconds. The connected lights will briefly flash to indicate memory has been erased.