



RFC-A-CCT-1Z-TT-BT-B

1-ZONE | CCT | TABLETOP REMOTE CONTROL

Fixture Type: _____

Project: _____

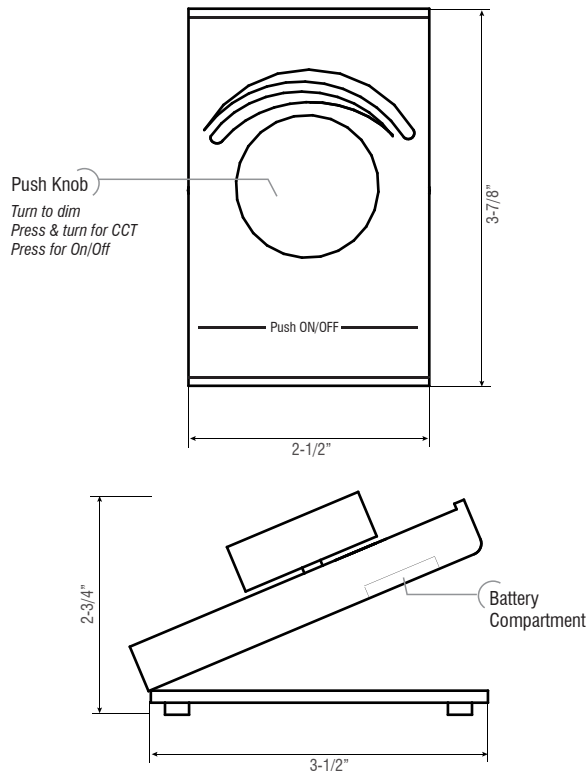
Location: _____



PRODUCT FEATURES

- Dimming and color tuning via rotary knob
- On/Off push-knob
- Compatible with RFR-A series receivers
- Can control multiple RF receivers
- Battery operated (*included*)

OPERATION & DIMENSIONS



SPECIFICATIONS

Model	RFC-A-CCT-1Z-TT-BT-B
Device Color	Black
Voltage	3V DC
Battery Compartment	1 x CR2025 battery (included)
RF Wireless Control	Yes
Operation Frequency	434MHz/868MHz
RF Range	Up to 50ft
Dimensions L*W*D	3-7/8" x 2-1/2" x 2-3/4"
IP Rating	IP20
Temp Range	-4°F to 122°F
Rotary Knob	Yes, 1-1/2" diameter
Dim Range	1% to 100%

