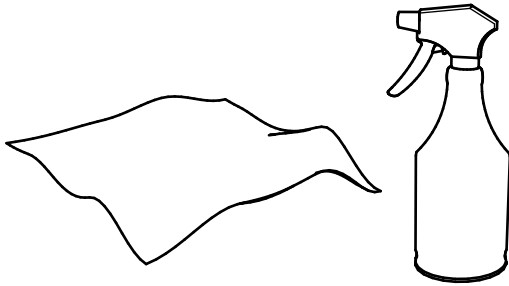




LINEAR LED STRIP

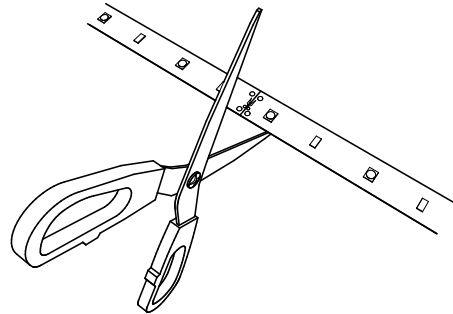
INSTALLATION INSTRUCTIONS

- ① Prepare mounting surface by removing any dirt, debris, or moisture.

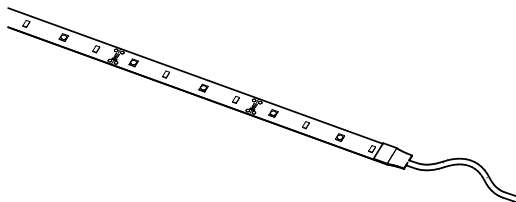


- ② If necessary you can cut INDOOR LED strip to desired length at indicated cut intervals.

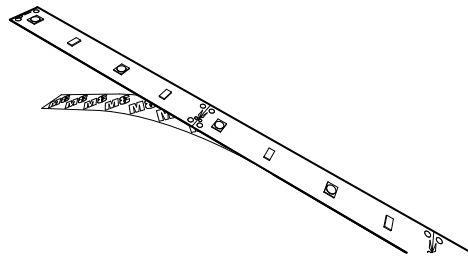
⚠ Do Not Field Cut OUTDOOR LED Strip



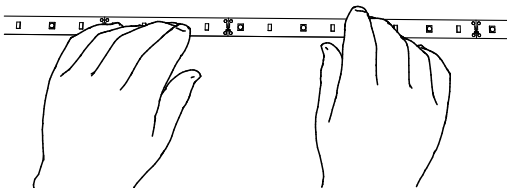
- ③ Ensure that LED strip is correctly oriented with power feed end toward power source.



- ④ Begin peeling back 3M™ adhesive backing and adhering LED strip to smooth, clean, non-porous mounting surface only!



- ⑤ Gently go back and press down along entire strip to remove any air pockets and secure into position.



⚠ Do Not Power on LED Strip Until Entire Strip Is Removed From Reel

⚠ Do Not Fold, Crease, Twist, or Bend LED Strip at Sharp Angles

⚠ Refer to Wattage Chart to Ensure LED Strip Length Is Suitable for Power Supply