



# CH-242-M

## EXTRUDED ALUMINUM MOUNTING CHANNEL

Fixture Type: \_\_\_\_\_

Project: \_\_\_\_\_

Location: \_\_\_\_\_

### PRODUCT FEATURES

- Available in 2 meter sections
- Extruded aluminum construction
- Anodized matte finish
- Consult factory for custom lengths & finishes

### SPECIFICATIONS

Model	CH-242-M
Length	2 meters
External Width	39.7mm (1-9/16")
Internal Width	13.2mm (1/2")
Overall Height	83mm (3-1/4")



Aluminum Profile A



End Caps (EC)



Frosted Lens (FR)



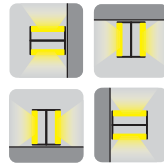
Aluminum Profile B



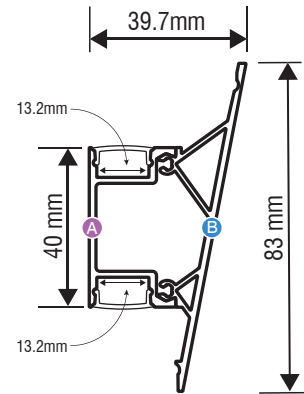
Clear Lens (CL)



White Lens (WH)



Applications



### ORDERING INFORMATION

Example: **CH242M-2-WH-NA-EC**

