



# 25HE-24V

25 WATT - 24 VOLT | UNIVERSAL DIMMING

CLASS 2 POWER SUPPLY

Fixture Type: \_\_\_\_\_

Project: \_\_\_\_\_

Location: \_\_\_\_\_



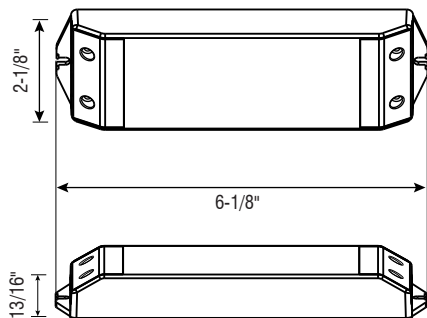
## PRODUCT FEATURES

- Hardwire power supply with forward & reverse phase dimming
- Primary side dimmable - ELV/MLV/INC
- Rated for indoor use
- ETL Listed
- Class 2

## SPECIFICATIONS

|                  |                           |
|------------------|---------------------------|
| Model            | 25HE-24V                  |
| Input Voltage    | 120V AC                   |
| Output Voltage   | 24V DC / Constant Voltage |
| Max Wattage      | 25W                       |
| Temp Range       | -20°F – 158°F             |
| Dimensions L*W*D | 6-1/8" × 2-1/8" × 13/16"  |
| Classification   | Class 2                   |

## DIMENSIONS

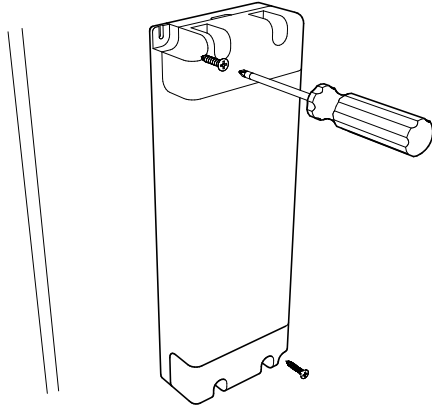




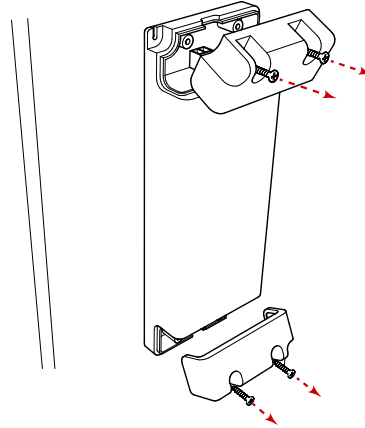
# 25HE-24V

## INSTALLATION INSTRUCTIONS

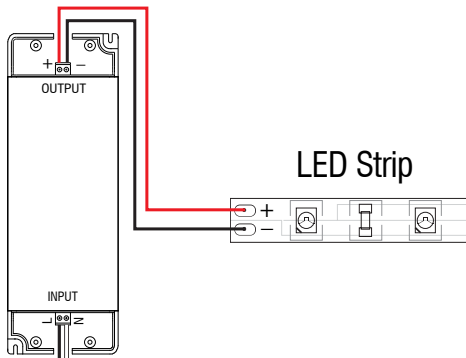
① Secure power supply to mounting surface



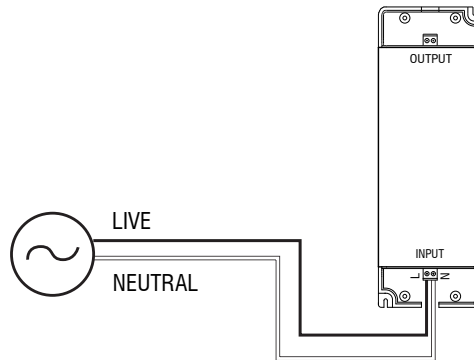
② Remove wiring covers



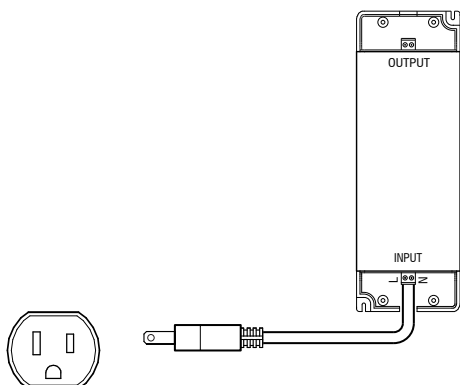
③ Observe polarity and connect power supply output and LED strip



④ Connect primary side wires to AC line voltage power source



⑤ Optional: connect plug-in power feed to power supply in lieu of hardwire connection



⑥ Replace wiring covers

