



QUIX™ SERIES INSTALLATION INSTRUCTIONS



WARNING—SHOCK HAZARD!
BEFORE CONNECTING, TURN AC POWER
OFF AT CIRCUIT BREAKER
Failure to do so may result in serious
injury or death.

SAFETY PRECAUTIONS:
Products should be installed and serviced
by a qualified, licensed electrician in
accordance with applicable local and
national electrical safety codes.

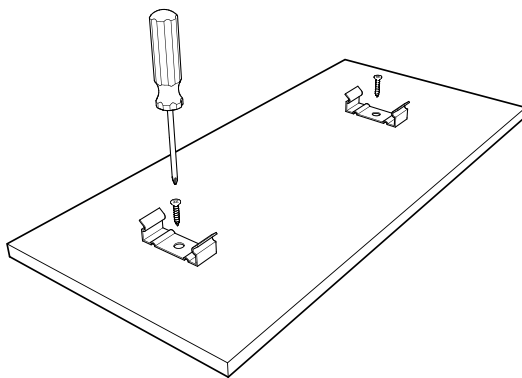
Never install within 10ft or less from the
nearest edge of a pool, spa, fountain, or
similar location.

Never use currents or voltages that are
not compatible.

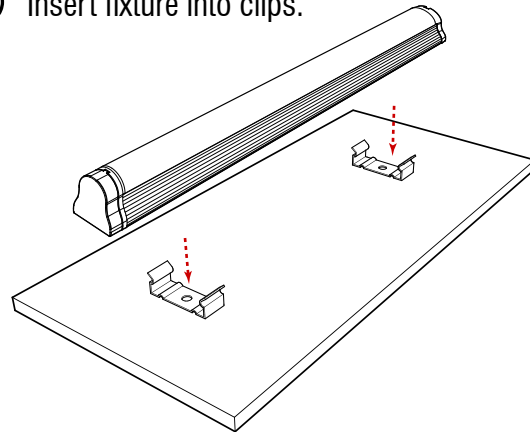
Never modify or take apart KELVIX
components beyond instructions or the
warranty will be void.

INSTALLATION STEPS:

- ① Screw fixture clips to mounting surface.

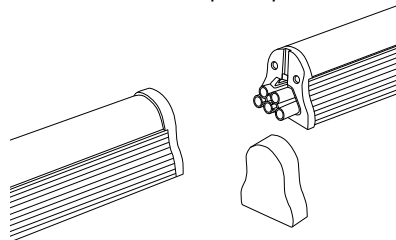


- ② Insert fixture into clips.

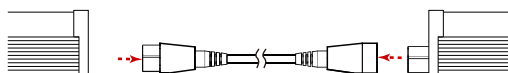


- ③ Optional: link multiple fixtures together.
Do not exceed 200W per run!

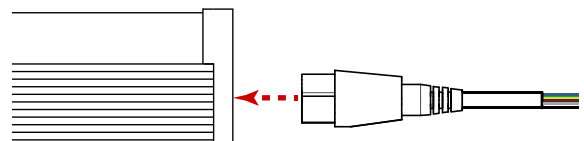
Remove cap to expose.



6 Inch Cord Coupler
(Sold Separately)



- ④ Connect required Hardwire Power Feed to fixture.

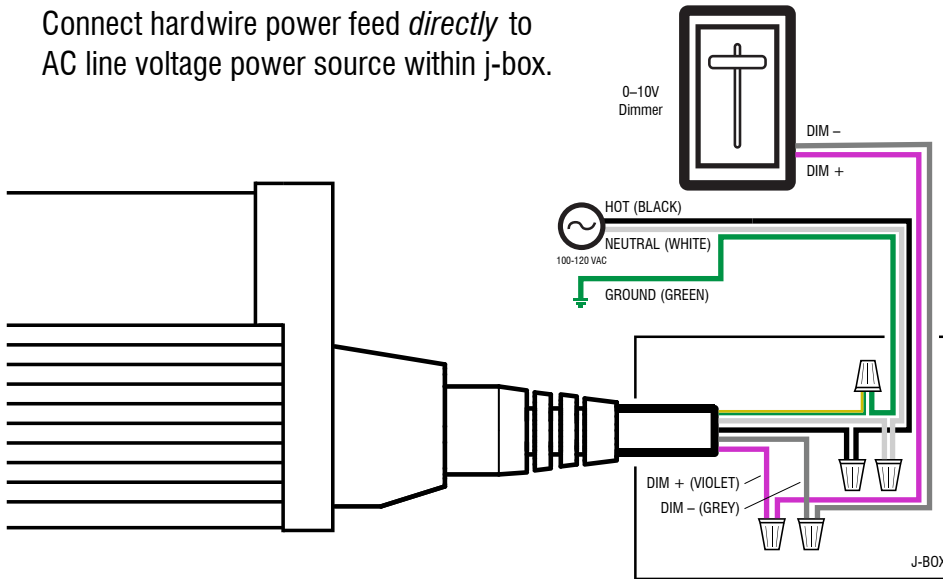




QUIX™ SERIES INSTALLATION INSTRUCTIONS

5 0-10V DIMMING

Connect hardwire power feed *directly* to AC line voltage power source within j-box.



6 Or: STANDARD SWITCH

Connect hardwire power feed *directly* to AC line voltage power source within j-box.

