



# CH-031-C

## EXTRUDED ALUMINUM MOUNTING CHANNEL

Fixture Type: \_\_\_\_\_

Project: \_\_\_\_\_

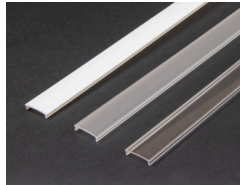
Location: \_\_\_\_\_

### PRODUCT FEATURES

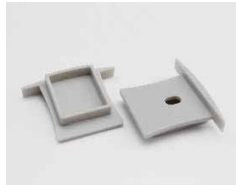
- Available in 2 Meter Sections
- Extruded Aluminum Construction
- Anodized Matte Finish
- Consult Factory for Custom Lengths and Finishes

### SPECIFICATIONS

Model	CH-031-C
Length	2 meters
External Width	36mm (1-7/16")
Internal Width	18.6mm (3/4")
Height	28mm (1-1/8")



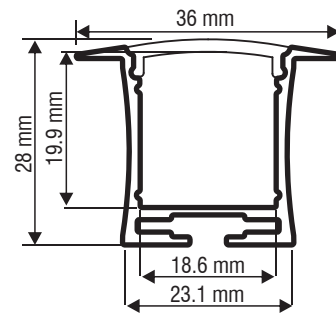
Frost Lens (FR)  
White Lens (WH)  
Clear Lens (CL)



End Cap With Hole  
End Cap Without Hole



Spring Clips (SG)



### ORDERING INFORMATION

Example: **CH031C-1-FR-SG-EC**

