



Z3—ZOLO™ 3

ULTRA-THIN INDOOR LED WASHER/GRAZER

Fixture Type: _____

Project: _____

Location: _____

PRODUCT FEATURES

- High Purity PMMA Optic Acrylic Cover
- 6063 High Density Extruded Aluminum Alloy
- Available in Titanium Gray, Black or White Finish
- Remote Driver for Excellent Reliability (Sold Separately)
- CRI > 90, 3 Steps
- 24VDC
- Linkable



SPECIFICATIONS

Input Voltage	24VDC / Constant Voltage
Watts per Foot	6W (Standard Output); Custom Wattages Available
Lumen per Watt	100 lm/W
Beam Spread	15° × 30°, 20° × 40°, 15°, 30°
Max Run Length	Up to 96W per Power Feed
Dimensions	1" (26mm) × 0.8" (21mm) × Variable (see below)
CRI	90
Dimming Options	PWM, Triac, 0-10V, DMX, Hi-lume
Temp Range	-40°F (-40°C) to 122°F (50°C)

FINISHES



ORDERING INFORMATION

Example: Z3-2-6W-30K-1530-S2-TG-NA

Item	Length	Output	Kelvin	Beam Angle	Stand-off Length	Finish	Accessory
Z3	2	6W	30K	1530	S2	TG	NA
Z3—Zolo-3	1—1ft 2—2ft 3—3ft 4—4ft	6W—6W/ft <i>*Custom wattages available</i>	30K—3000K 35K—3500K 40K—4000K	1530—15°×30° 2040—20°×40° 15—15° 30—30°	S2—2"	TG—Titanium Gray BK—Black WH—White	NA—None GS—Solid Glare Shield

Conforms to ANSI/UL Standard 2108
Certified to CAN/CSA Standard C22.2 No. 250.0





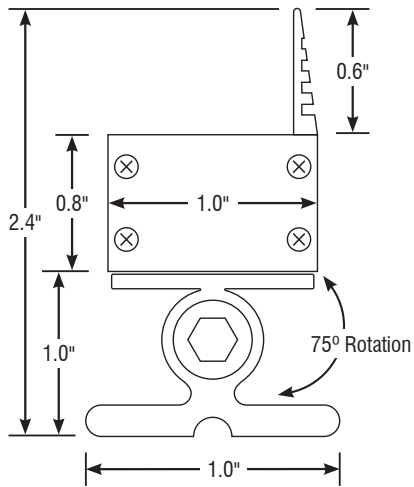
Z3—ZOLO™ 3

ULTRA-THIN INDOOR LED WASHER/GRAZER

Fixture Type: _____

Project: _____

Location: _____



Shown With Solid
Glare Shield (Optional)

