



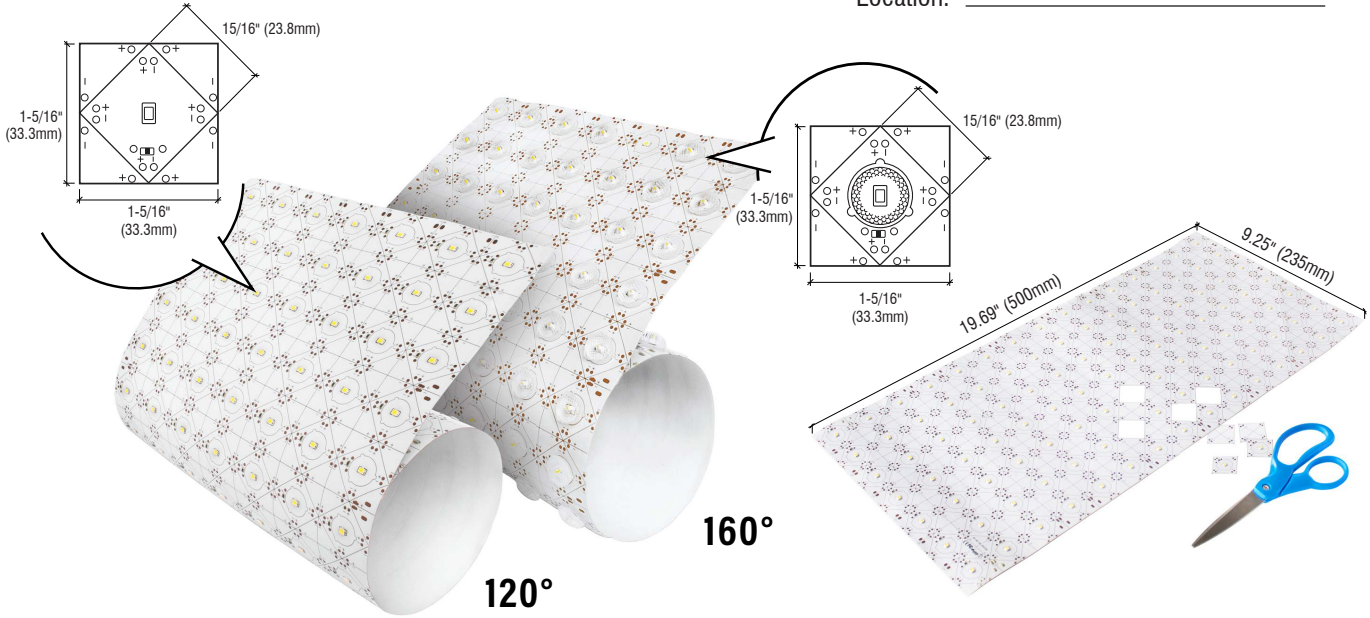
FLEXFIT™

FLEXIBLE LED SHEET

Fixture Type: _____

Project: _____

Location: _____



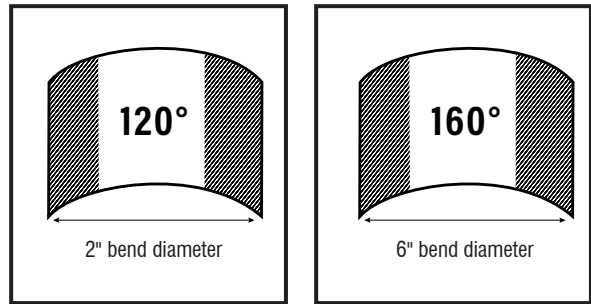
SPECIFICATIONS

Input Voltage	24V DC / Constant Voltage
Beam Spread	120° / 160°
Max Connection	96W per power feed
Size*	10" × 20" (Approx.)
CRI	90+
Watts	16
Lumens	1824 (120°) / 1632 (160°)
LED Count	105 per panel
Dimming Options	PWM, Triac, 0–10V, DMX, Hi-lume
Temp Range	-40°F (-40°C)–149°F (65°C)
Rating	IP20

*Refer to image in upper right for actual dimensions

PRODUCT FEATURES

- Can be cut into any shape
- Cutable every diode
- 3M™ adhesive backing for easy installation
- 50,000 hour life
- UL-listed for indoor use



ORDERING INFORMATION

Example: **FF-16-3K-24V-120**

Item	Wattage	Kelvin	Voltage	Beam Angle
FF	16	3K	24V	120
FF - FlexFit™	16 - 16 watts	3K - 3000K 4K - 4000K	24V	120 - Standard 2" or greater depths (1824 lm) 160 - Shallow 1"–2" depths (1632 lm)



Conforms to ANSI/UL Standard 2108
Certified to CAN/CSA Standard C22.2 No. 250.0