



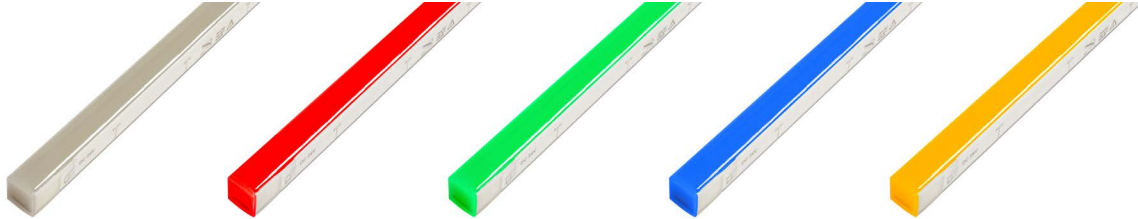
SIGNWAVE™ 3 (INDOOR/OUTDOOR)

SW3-SERIES | FLEXIBLE LIGHTING SYSTEM

Fixture Type: _____

Project: _____

Location: _____



Color/Kelvin	WHITE (Specify CCT)	RED	GREEN	BLUE	AMBER	RGBW	CT (2500+5000K)
Wavelength	N/A	620-630nm	520-530nm	465-475nm	585-595nm	N/A	N/A
Wattage	3.7W/ft	2.2W/ft	3.7W/ft	3.7W/ft	2.2W/ft	4.6W/ft	3.7W/ft
Power Feed	Every 32ft	Every 50ft	Every 32ft	Every 32ft	Every 50ft	Every 16ft	Every 32ft
Production Intervals	2.188"	3.25"	2.188"	2.188"	3.25"	3.25"	3.25"

PRODUCT FEATURES

- Dimmable
- 50,000 hour life
- Flat profile for streamline projects
- Horizontal or vertical bending option
- IP67 or IP68 option
- UL-listed for indoor and outdoor use
- Factory-installed power feed
- Injection-molded flush end caps
- For use with 24V power supplies

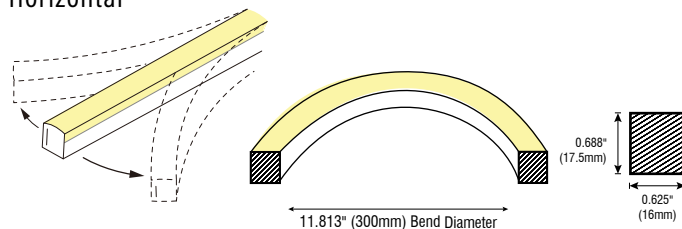
SPECIFICATIONS

Series	SW3 - Signwave™ 3
Input Voltage	24V DC
Max Run Length	Unlimited, Refer to Power Feed Above
Lumens	162 Lm/ft (White)
Beam Angle	160°
Dimensions	0.625"(16mm) × 0.688"(17mm)
CRI	80+
Dimming Options	PWM, Triac, 0-10V, DMX, Hi-lume
Temp Range	-4°F (-20°C) to 113°F (45°C)

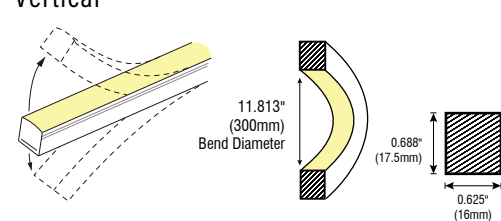


BENDING OPTIONS & PROFILE DIMENSIONS

Horizontal



Vertical



Conforms to ANSI/UL Standard 2108
 Certified to CAN/CSA Standard C22.2 No. 250.0

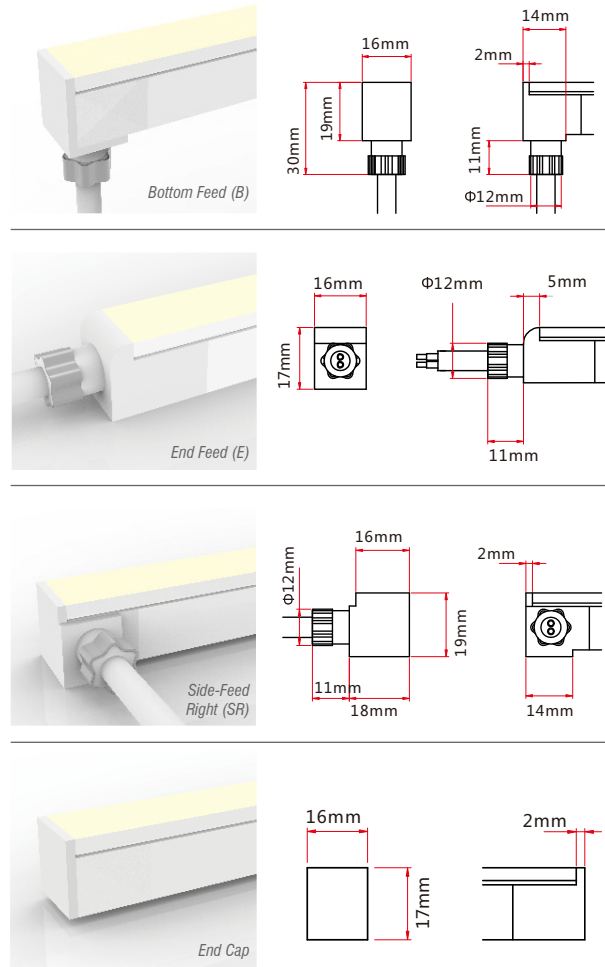




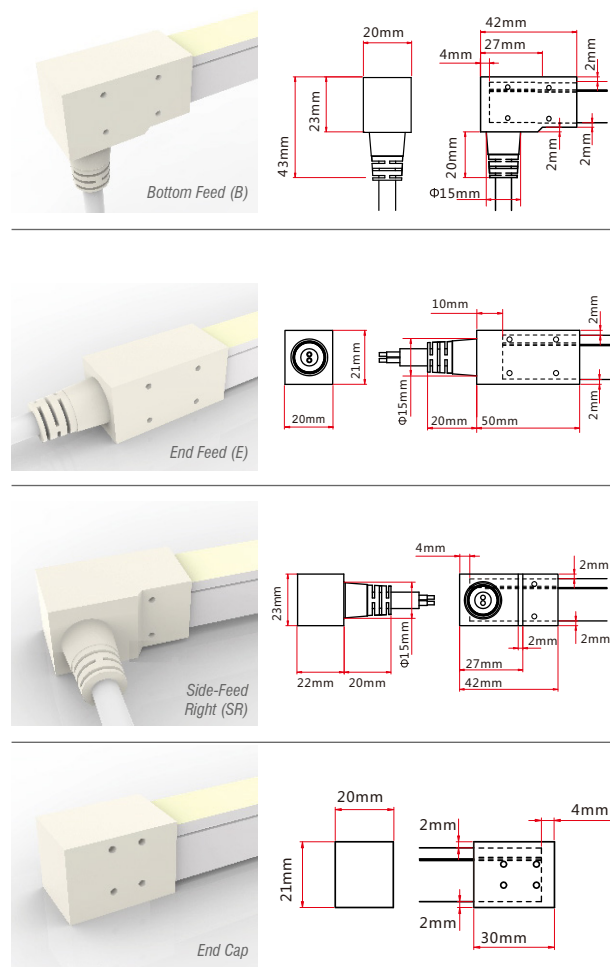
SIGNWAVE™ 3 (INDOOR/OUTDOOR)

SW3-SERIES | FLEXIBLE LIGHTING SYSTEM

IP67 OPTIONS



IP68 OPTIONS



ORDERING INFORMATION

Example: **SW3-36-RGBW-VR-E-S-IP67**

Series	Length (Unlimited)	Color	Bending	Feed Point	Feed Length	Rating
SW3						
SW3	Inches	27K - 2700K 30K - 3000K 35K - 3500K 40K - 4000K 45K - 4500K 50K - 5000K RD - Red GRN - Green BL - Blue AM - Amber RGBW - Color Changing CT - Color Tuning	VR - Vertical HZ - Horizontal (Not available in RGBW)	B - Bottom Feed SL - Side-Feed Left SR - Side-Feed Right E - End Feed	S - Standard (118 inch) Inches - Custom length (inches).	IP67 IP68



SIGNWAVE™ K-ACCESSORIES

FOR SIGNWAVE™ 3 SERIES LIGHTING SYSTEM

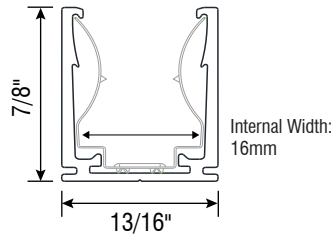
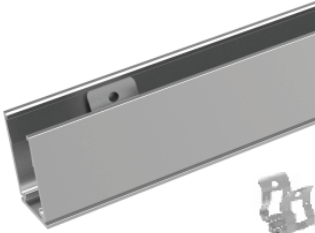
Fixture Type: _____

Project: _____

Location: _____

SW-K-CH-AL-2M

(2-meter aluminum mounting channel)

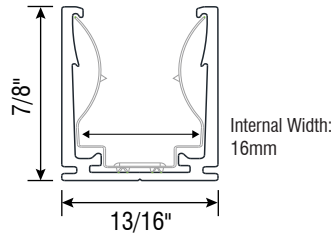


SPECIFICATIONS

Model	SW-K-CH-AL-2M
Material	Aluminum
Length	2m (78-3/4")
Width	20.7mm (13/16")
Height	22.3mm (7/8")
Internal Width	16mm (5/8")

SW-K-CLP-AL

(1.5-inch aluminum mounting clip)

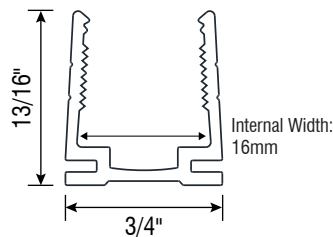
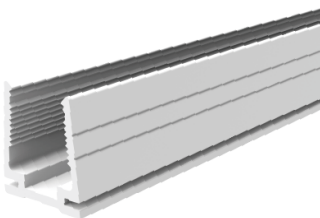


SPECIFICATIONS

Model	SW-K-CLP-AL
Material	Aluminum
Length	38.1mm (1-1/2")
Width	20.7mm (13/16")
Height	22.3mm (7/8")
Internal Width	16mm (5/8")

SW-K-CH-PL-2M

(2-meter plastic mounting clip)



SPECIFICATIONS

Model	SW-K-CH-PAL-2M
Material	Plastic & Aluminum
Length	2m (78-3/4")
Width	19mm (3/4")
Height	21mm (13/16")
Internal Width	16mm (5/8")