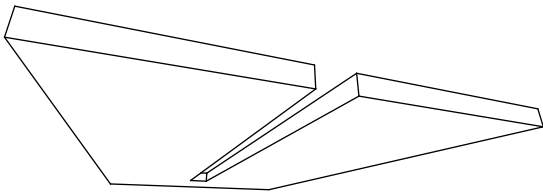




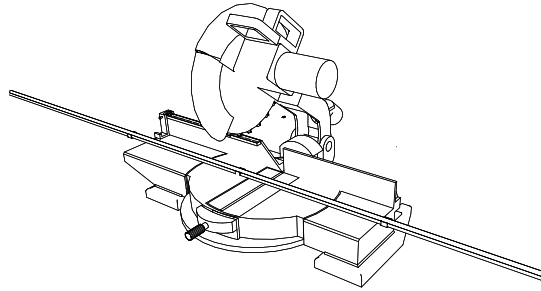
FIXTURE SERIES

SPRING CLIP INSTALLATION INSTRUCTIONS (STANDARD LENS)

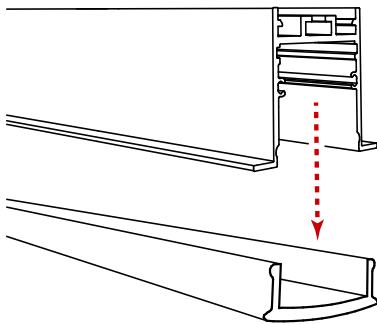
- ① Create recessed opening in mounting surface



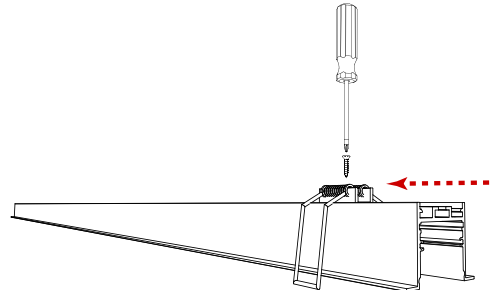
- ② Insert lens into channel, measure length of recess created in step 1, cut to length



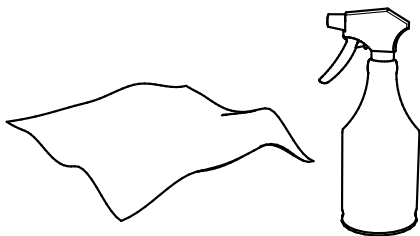
- ③ Remove lens cover from channel



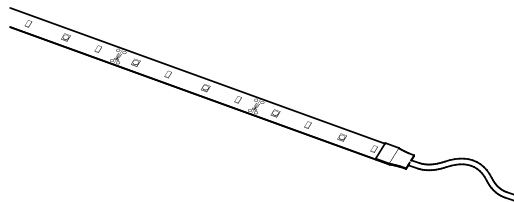
- ④ Feed spring clips through back of channel, and tighten set screws



- ⑤ Clean channel to remove any dirt, debris, or moisture



- ⑥ Orient LED strip with power feed end toward power source

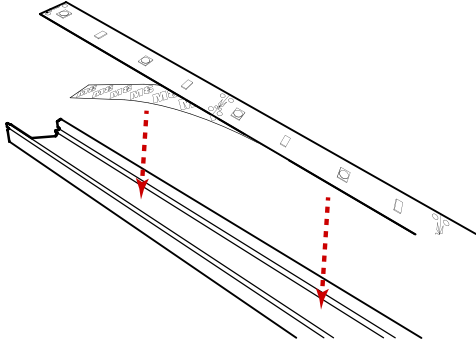




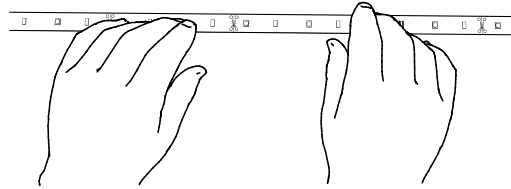
FIXTURE SERIES

SPRING CLIP INSTALLATION INSTRUCTIONS (STANDARD LENS)

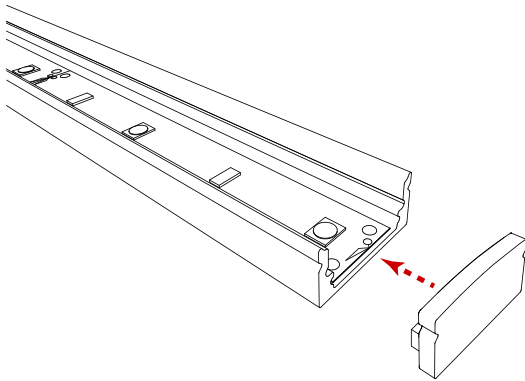
- 7 Peel off 3M™ adhesive backing and adhere LED strip to the inside bottom of the channel



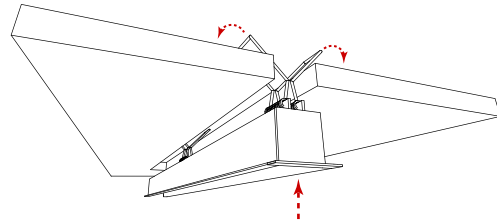
- 8 Gently go back and press down along entire strip to remove any air pockets and secure into position



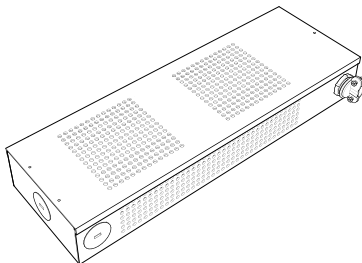
- 9 Install end caps



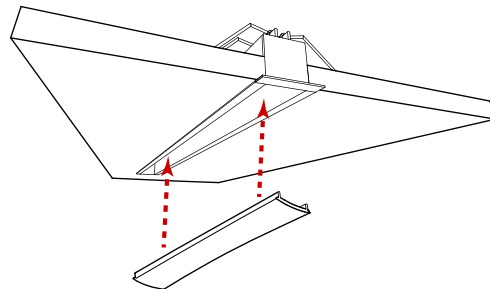
- 10 Insert channel into opening with spring clips compressed and then allow clips to release and clasp surface



- 11 Install power supply (see page 3-4 for detailed installation steps)



- 12 Snap lens into channel

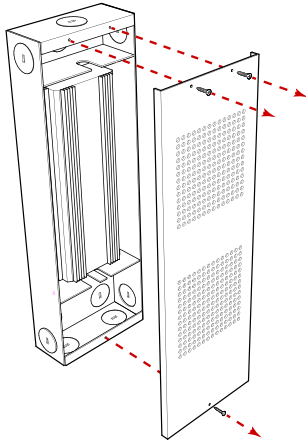




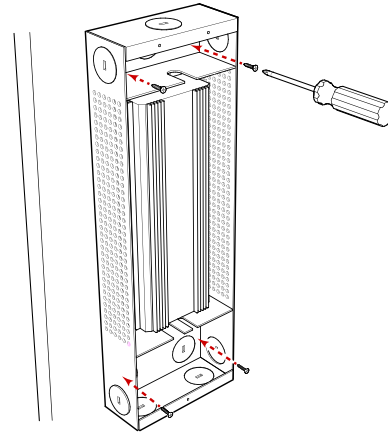
FIXTURE SERIES

ULV INSTALLATION INSTRUCTIONS (POWER SUPPLY)

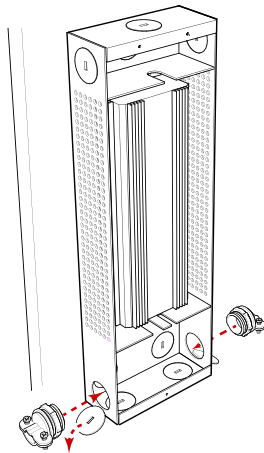
① Remove wiring cover



② Secure power supply to mounting surface



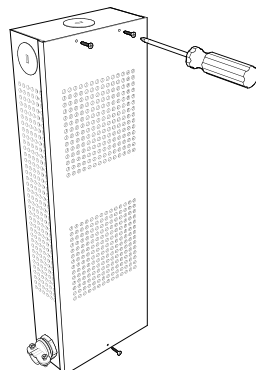
③ Instal romex connectors in 1/2 KOs where nessesary



④ Refer to ULV96 Wiring Options (next page) to configure setup for the appropriate application



⑤ Replace wiring cover

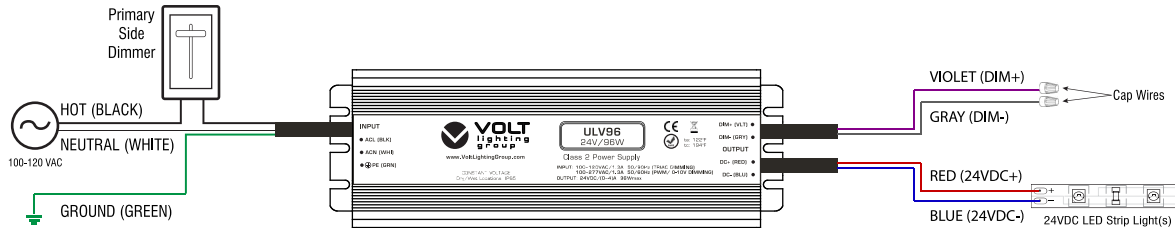




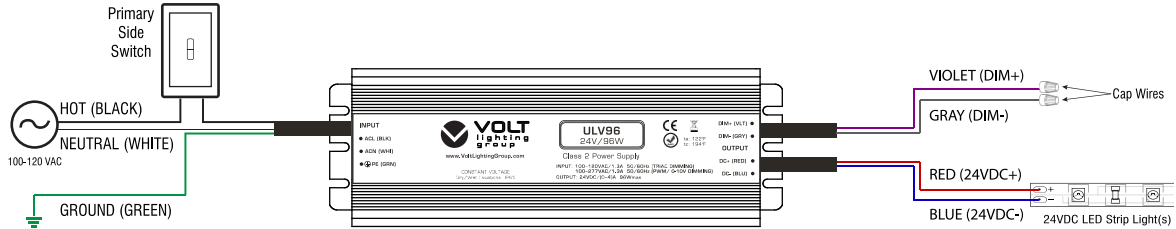
FIXTURE SERIES

ULV WIRING OPTIONS (POWER SUPPLY)

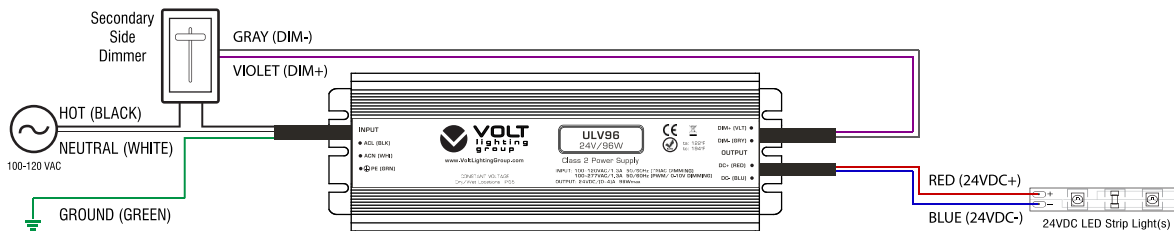
PRIMARY SIDE DIMMING (120V ONLY)



PRIMARY SIDE SWITCHING (120-277V)



SECONDARY SIDE DIMMING (0-10V)



SECONDARY SIDE DIMMING (DMX)

