



CH-027

EXTRUDED ALUMINUM MOUNTING CHANNEL

Fixture Type: _____

Project: _____

Location: _____

PRODUCT FEATURES

- Available in 2 meter sections
- Extruded aluminum construction
- Anodized matte finish
- Consult factory for custom lengths & finishes

SPECIFICATIONS

Model	CH-027
Length	2 meters
Overall Width	20.3mm (13/16")
Internal Width	16.7mm (11/16")
Height	27mm (1-1/16")



White lens (WH)
Frost lens (FR)



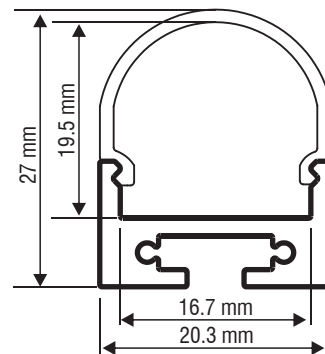
End cap with hole
End cap without hole



2M Suspension cable (SP)



Mounting Clips (CP)



ORDERING INFORMATION

Example: **CH027-2-WH-SP-EC**

