



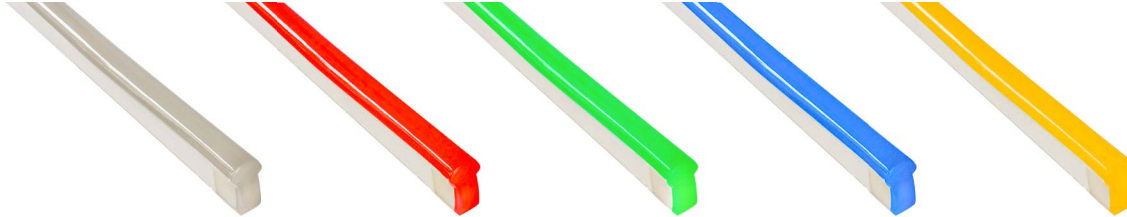
SIGNWAVE™ 1 (INDOOR/OUTDOOR)

SW1-SERIES | FLEXIBLE LIGHTING SYSTEM

Fixture Type: _____

Project: _____

Location: _____



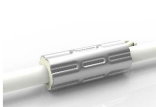
Color/Kelvin	WHITE (Specify CCT)	RED	GREEN	BLUE	AMBER
Wavelength	N/A	620-630nm	520-530nm	465-475nm	585-595nm
Wattage	1.4W/ft	1.1W/ft	1.4W/ft	1.4W/ft	1.1W/ft
Power Feed	Every 50ft	Every 50ft	Every 50ft	Every 50ft	Every 50ft
Production Intervals	3-1/4" (83.3mm)	4-15/16" (125mm)	3-1/4" (83.3mm)	3-1/4" (83.3mm)	4-15/16" (125mm)

PRODUCT FEATURES

- 50ft per power feed
- Dimmable
- 50,000 hour life
- Domed profile for large beam angle
- UL-listed for indoor and outdoor use
- IP67 or IP68 option
- Factory-installed power feed
- Injection-molded flush end caps
- For use with 24V power supplies

SPECIFICATIONS

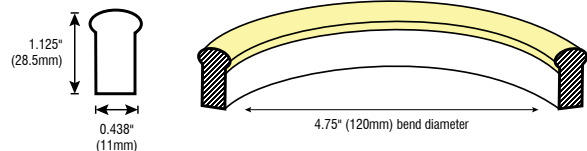
Series	SW1 - Signwave™ 1
Input Voltage	24V DC
Lumens	80 Lm/ft (White)
Max Run Length	Unlimited, power every 50ft
Beam Angle	320°
Dimensions	7/16"(11.5mm) x 1"(26mm)
CRI	80+
Dimming Options	PWM, Triac, 0-10V, DMX, Hi-lume
Temp Range	-4°F (-20°C) to 113°F (45°C)



DryWire ferrule located 115mm from the cable connector. Protects against damage from water ingress inside cable wire.

Included in every run.

DOME PROFILE DIMENSIONS



Conforms to ANSI/UL Standard 2108
 Certified to CAN/CSA Standard C22.2 No. 250.0

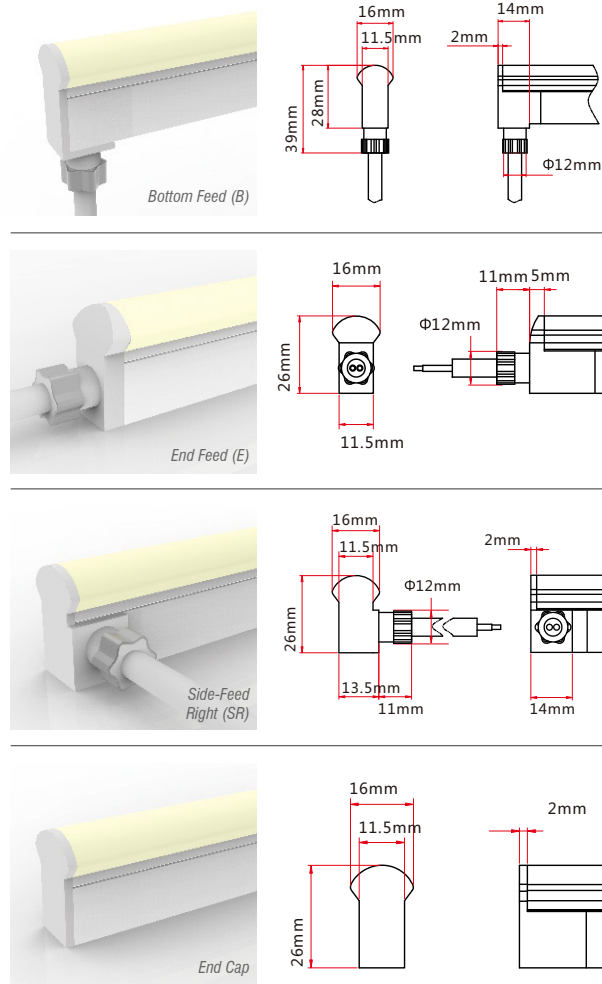




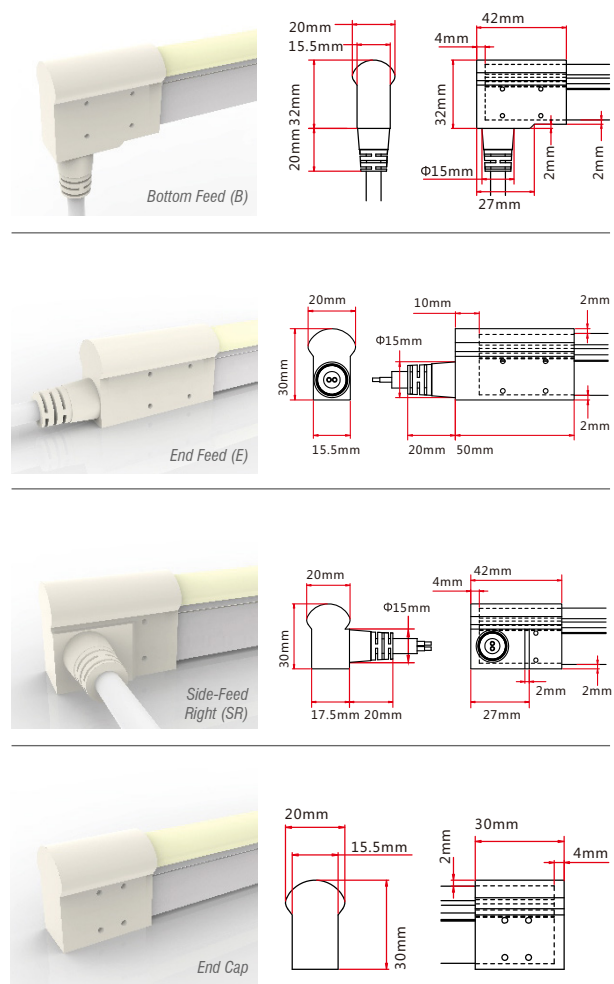
SIGNWAVE™ 1 (INDOOR/OUTDOOR)

SW1-SERIES | FLEXIBLE LIGHTING SYSTEM

IP67 OPTIONS



IP68 OPTIONS



ORDERING INFORMATION

Example: SW1-48-GRN-SL-96-IP67

Series	Length (Unlimited)	Color	Feed Point	Feed Length	Rating
SW1					
SW1	Inches	27K - 2700K 30K - 3000K 35K - 3500K 40K - 4000K 45K - 4500K 50K - 5000K RD - Red GRN - Green BL - Blue AM - Amber	B - Bottom Feed SL - Side-Feed Left SR - Side-Feed Right E - End Feed	S - Standard (118 inch) Inches - Custom length (inches).	IP67 IP68



SIGNWAVE™ E-ACCESSORIES

FOR SIGNWAVE™ 1, 2, 5, 7 SERIES LIGHTING SYSTEM

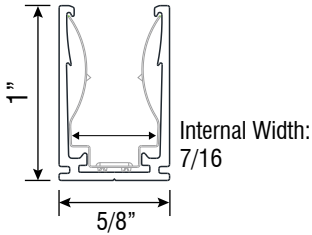
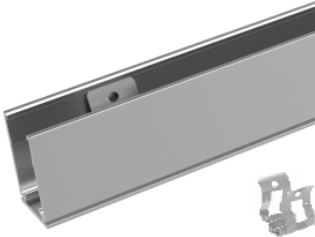
Fixture Type: _____

Project: _____

Location: _____

SW-E-CH-AL-2M

(2-meter aluminum mounting channel)

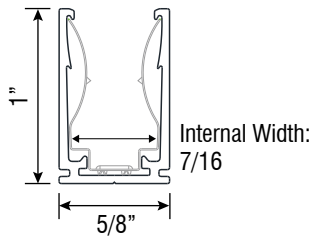


SPECIFICATIONS

Model	SW-E-CH-AL-2M
Material	Aluminum
Length	2m (78-3/4")
Width	16.2mm (5/8")
Height	25.6mm (1")
Internal Width	11.5mm (7/16")

SW-E-CLP-AL

(1.5-inch aluminum mounting clip)

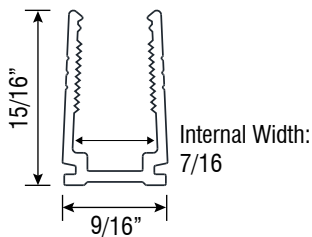
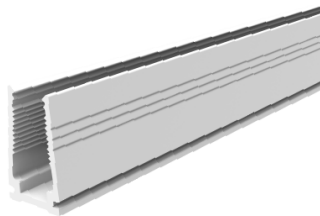


SPECIFICATIONS

Model	SW-E-CLP-AL
Material	Aluminum
Length	38.1mm (1-1/2")
Width	16.2mm (5/8")
Height	25.6mm (1")
Internal Width	11.5mm (7/16")

SW-E-CH-PL-2M

(2-meter plastic mounting clip)



SPECIFICATIONS

Model	SW-E-CH-PL-2M
Material	Plastic
Length	2m (78-3/4")
Width	14mm (9/16")
Height	24mm (15/16")
Internal Width	11.5mm (7/16")