



RFC-A-WIFI

WIFI INTERFACE FOR RF RECEIVERS

Fixture Type: _____

Project: _____

Location: _____



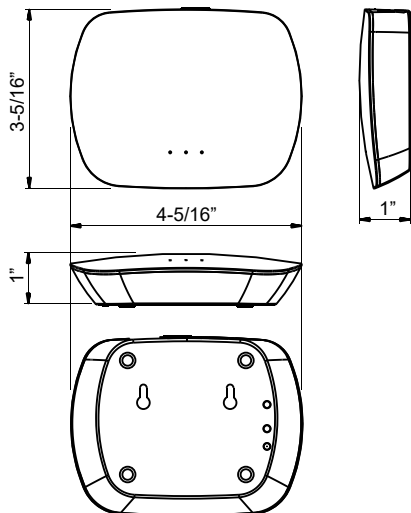
PRODUCT FEATURES

- For controlling RF receivers via mobile device
- Can be used with multiple RF/Wifi controllers
- Compatible with RFC-A series receivers
- Compatible with iOS and Android mobile apps
- Connects through router or directly to wifi device

SPECIFICATIONS

Model	RFC-A-WIFI
Input Voltage	12V DC
Operation Frequency	869.5 MHz
RF Range	Up to 50ft
Dimensions L*W*D	4-15/16" x 3-5/16" x 1"
IP Rating	IP20
Temp Range	-4°F to 122°F

DIMENSIONS



WIRING EXAMPLE

