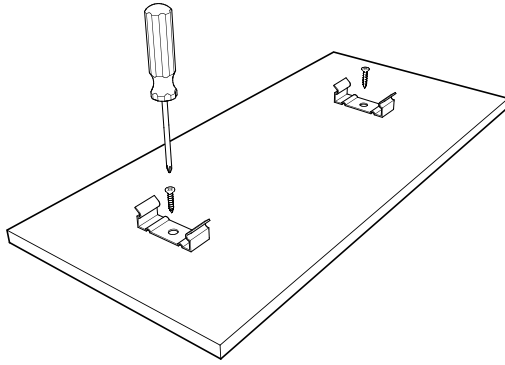




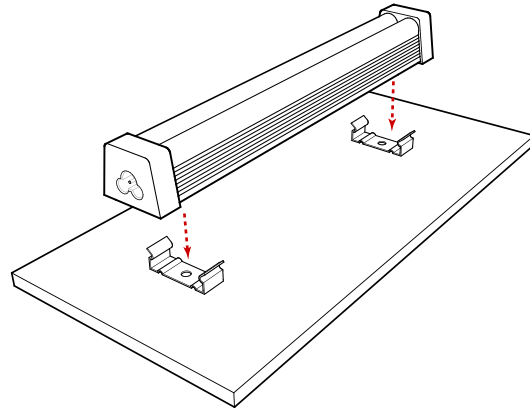
MODULIGHT™ SERIES

INSTALLATION INSTRUCTIONS (HARDWIRE CONNECTION)

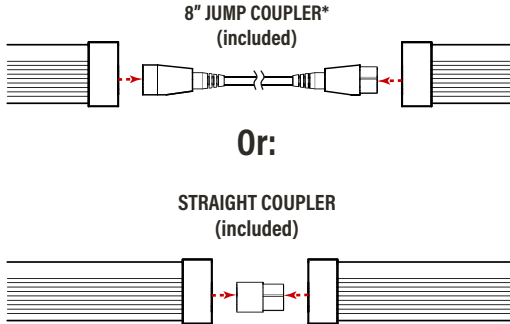
① Screw fixture clips to mounting surface



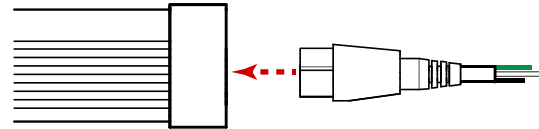
② Insert fixture into clips



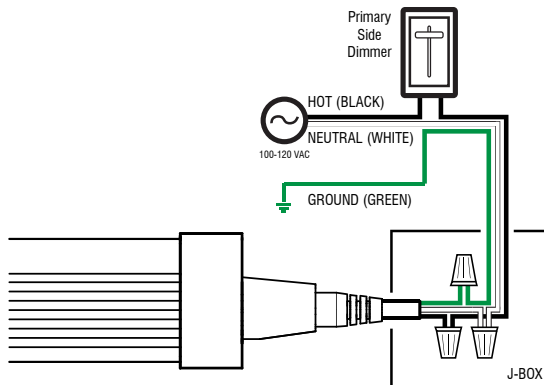
③ *Optional: link multiple fixtures together (See page 3 for additional linkage options). Do not exceed 200W per run!



④ Connect included hardwire power feed to fixture



⑤ Connect harwire power feed directly to AC line voltage power source within j-box



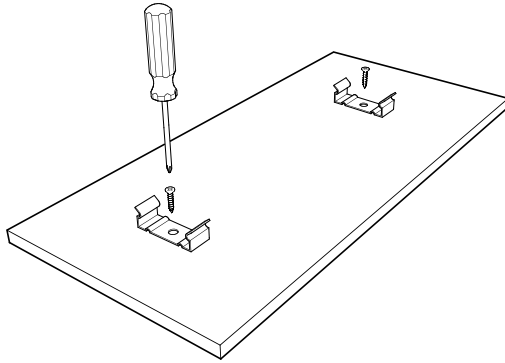
Note: product contains an integrated power supply, does not require a separate power supply!



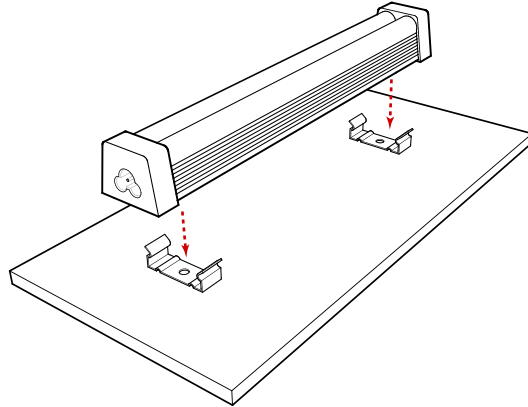
MODULIGHT™ SERIES

INSTALLATION INSTRUCTIONS (AC CONNECTION)

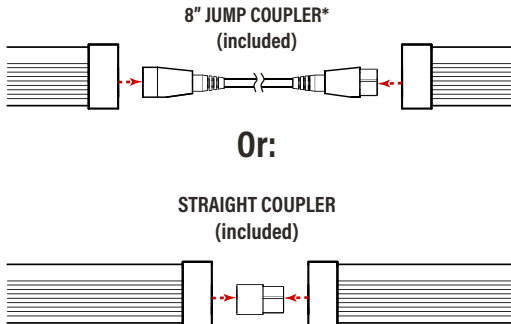
① Screw fixture clips to mounting surface



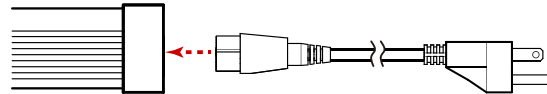
② Insert fixture into clips



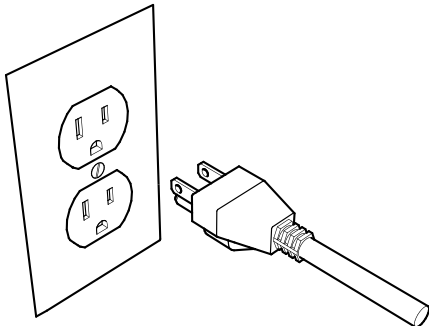
③ *Optional: link multiple fixtures together
(See page 3 for additional linkage options)
Do not exceed 200W per run!



④ Connect plug-in power feed to fixture (sold separately)



⑤ Plug power feed into standard electrical outlet



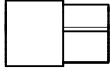
Note: product contains an integrated power supply, does not require a separate power supply!



MODULIGHT™ SERIES

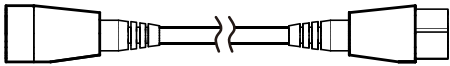
POWER FEEDS & WIRING EXAMPLE

Straight Coupler (included)



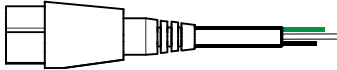
Jump Coupler (included)

8" Jumper Cable



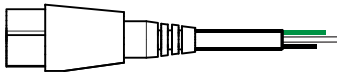
Hardwire Power Feed (included)

8" Power Feed Extension



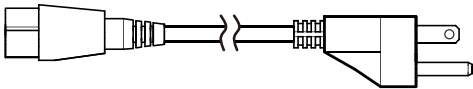
MLX-PWR-HW (sold separate)

48" Power Feed Extension



MLX-PWR-PLG (sold separate)

48" Power Cord



MLX-LNK-1M (sold separate)

40" Jumper Cable

