



# DALI-1CH

1-CHANNEL | SINGLE COLOR | DALI DIMMER

Fixture Type: \_\_\_\_\_

Project: \_\_\_\_\_

Location: \_\_\_\_\_



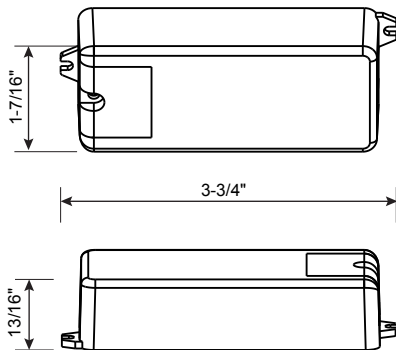
## PRODUCT FEATURES

- 1-channel DALI dimming module
- 0-100% logarithmic dimming range
- 256 dim increments for smooth transitions
- Analog dim driver with DALI signal input
- PWM output

## SPECIFICATIONS

Model	DALI-1CH
Input Voltage	12-24V DC
Output	1 × 8A
Constant Voltage	Yes
Dimensions L*W*D	3-3/4" × 1-7/16" × 13/16"
IP Rating	IP20
Temp Range	-4°F to 122°F
Dim Increments	0-256
Dim Range	1-100%
Dimming Standard	PWM

## DIMENSIONS



## WIRING EXAMPLE

