



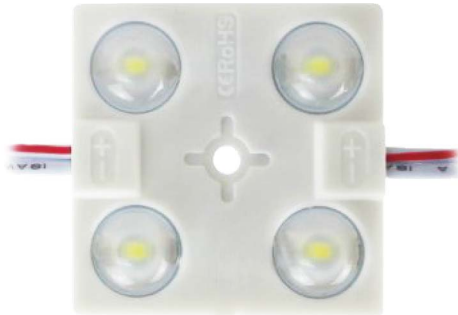
Cor™4 (INDOOR/OUTDOOR)

CR4-SERIES | MODULAR | LINEAR LED LIGHTING

Fixture Type: _____

Project: _____

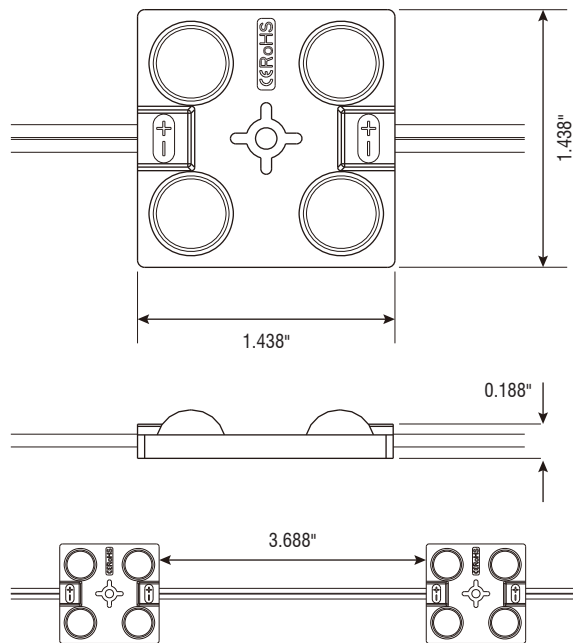
Location: _____



PRODUCT FEATURES

- 90+ CRI
- Dimmable
- 50,000 hour life
- ABS plastic construction
- Modular, field-configurable design
- UL-listed for indoor and outdoor use
- For use with 24V power supplies

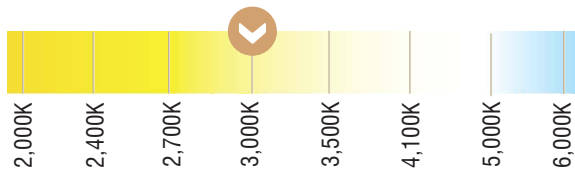
DIMENSIONS



SPECIFICATIONS

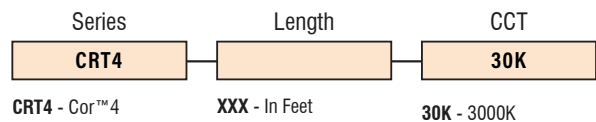
Series	CR4 - Cor™4
Input Voltage	24V DC / Constant Current
Beam Spread	160°
Max Run Length	Unlimited, power every 32ft
Lumens/ft	260lm/ft
Watts/ft	4.4W/ft
CRI	90+
Dimensions	1.438" × 1.438" × 0.188"
Diode	2835
IP Rating	IP65
Dimming Options	PWM, Triac, 0-10V, DMX, Hi-lume
Temp Range	-40°F (-40°C) to 149°F (65°C)

KELVIN TEMPERATURE SCALE



ORDERING INFORMATION

Example: **CRT4-125-3K**



Conforms to ANSI/UL Standard 2108
Certified to CAN/CSA Standard C22.2 No. 250.0

