



# CH-409

## EXTRUDED ALUMINUM MOUNTING CHANNEL

Fixture Type: \_\_\_\_\_

Project: \_\_\_\_\_

Location: \_\_\_\_\_

### PRODUCT FEATURES

- Available in 2 meter sections
- Extruded aluminum construction
- Anodized matte finish
- Consult factory for custom lengths & finishes

### SPECIFICATIONS

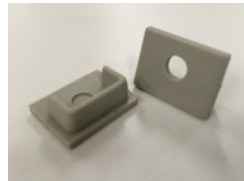
Model	CH-409
Length	78.74" (2m)
External Width	0.688" (18mm)
Internal Width	0.563" (15mm)
Height	0.5" (13mm)



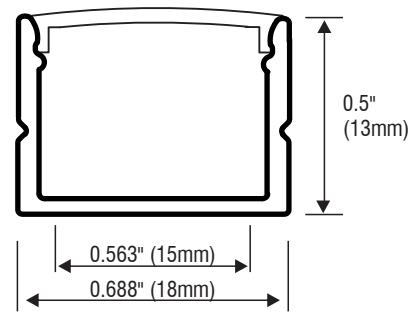
White lens (WH)



Mounting clip X5 (CP)



End caps with hole X2 (EC)



### ORDERING INFORMATION

Example: **CH409-2-WH-CP-EC**

