



CH-217-N

EXTRUDED ALUMINUM MOUNTING CHANNEL

Fixture Type: _____

Project: _____

Location: _____

PRODUCT FEATURES

- Available in 2 meter sections
- Extruded aluminum construction
- Anodized matte finish
- Consult factory for custom lengths & finishes

SPECIFICATIONS

Model	CH-217-N
Length	2 meters
External Width	49mm (1-15/16")
Internal Width	31mm (1-1/4")
Height	37.5mm (1-1/2")



Aluminum Profile



Spring Clip (SG)



White Lens (WH)



Frosted Lens (FR)



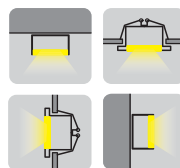
End Caps (EC)



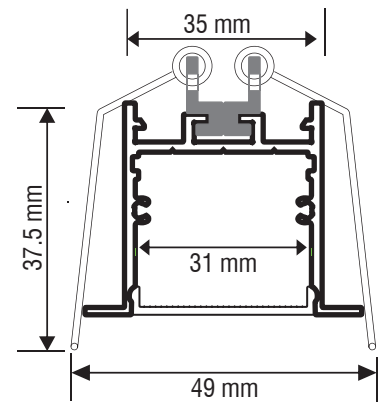
90°, 120° & 180° Connectors



Clear Lens (CL)



Applications



ORDERING INFORMATION

Example: **CH217N-2-WH-SG-EC**

