



CH-202

EXTRUDED ALUMINUM MOUNTING CHANNEL

Fixture Type: _____

Project: _____

Location: _____

PRODUCT FEATURES

- Available in 2 meter sections
- Extruded aluminum construction
- Anodized matte finish
- Consult factory for custom lengths & finishes

SPECIFICATIONS

Model	CH-202
Length	2 meters
External Width	17.1mm (11/16")
Internal Width	13.1mm (1/2")
Height	15.3mm (5/8")
Pivot Clip Height @ 90°	27mm (1-1/16")



Aluminum Profile



Mounting Clip (CP)



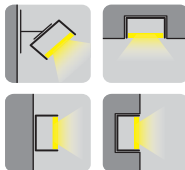
White Lens (WH)



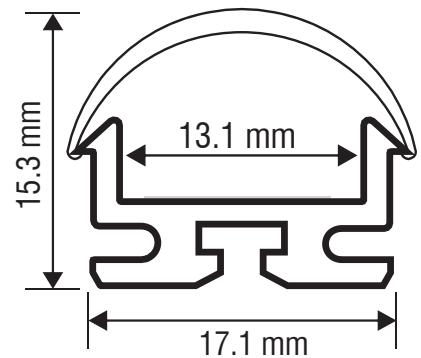
Pivot Mounting Clip (PV)



End Caps (with/without hole)



Applications



ORDERING INFORMATION

Example: **CH202-2-WH-CP-EC**

