

FIXTURE TYPE _____

PROJECT NAME _____

LOCATION _____



HLV96-SC

96 WATT-24 VOLT | CLASS 2 POWER SUPPLY



Description

Light up outdoor spaces with resilience using the HLV96-SC, a 96W constant voltage LED power supply designed to thrive in diverse environmental conditions. With wide dimming compatibility catering to various systems, this power supply provides a versatile solution for outdoor applications. Featuring protective measures and a design for consistent performance, the HLV96-SC sets the standard for durability and adaptability. UL-listed as Class 2 and suitable for Dry, Damp, and Wet locations, it delivers reliable illumination in various outdoor settings.

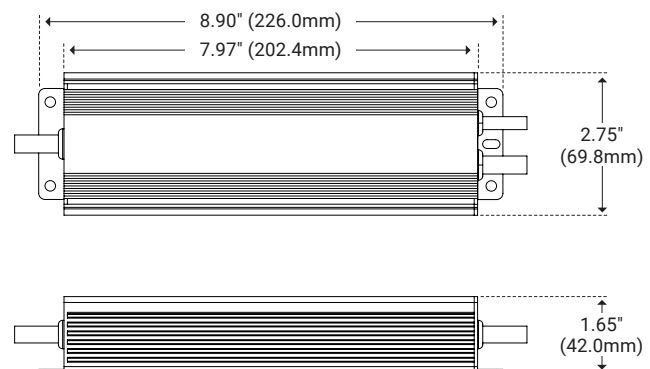
Features

- Universal Dimming: ELV, MLV, Triac, DMX, or 0-10V down to $\leq 1\%$
- Overload Protection/Auto Reset Short Circuit Protection
- Free Air Convection Cooling
- Suitable for Dry, Damp, and Wet Location
- UL-listed Class 2

Specifications

Series	HLV96-SC
Input Voltage	100-277V AC
Output Voltage	24V DC / Constant Voltage
Max Wattage	96W
Temp Range	-20°F(-29°C) – 158°F (70°C)
Dimensions	8.90" × 2.75" × 1.65"
Classification	Class 2

Dimensions



Series List

Model Name	Rated Input Voltage	Rated Output Power	Rated Output Voltage	Output Current	Note
HLV96-SC	100-277V AC	96W	24V	0-4000mA	3 in 1 Dimming



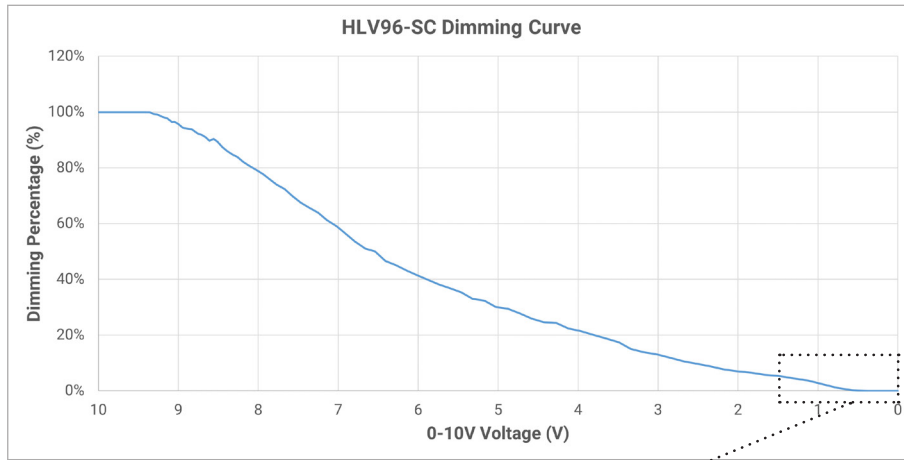
I Series Data

Model		HLV96-SC	
Certificates		FCC UL cUL Class 2	
Output	DC Voltage	24V	
	Voltage Tolerance	±0.5V	
	Voltage Regulation	±0.5%	
	Rated Current	4A	
	Rated Power	96W	
	Load Regulation	±1%	
Input	Voltage Range	100-277VAC	
	Frequency Range	47-63Hz	
	Power Factor (Typ.) @ full load	0.99 @ 120VAC	0.95 @ 277VAC
	THD (Typ.) @ full load	<20% @ 120VAC & 277VAC	
	Efficiency (Typ.) @ full load	83% @ 120VAC	86% @ 277VAC
	AC Current (Max.)	1.3A	
	Inrush Current (Typ)	20A, 50%, 1.6ms @ 120VAC	25A, 50% 1.2ms @277VAC
	Leakage Current	<0.5mA	
Protection	Short Circuit	Shut down o/p voltage, re-power on to recover after fault condition is removed	
	Over Loading	≤120% constant current limiting, auto-recovery	
	Over Temperature	212°F±18°F shut down o/p voltage, automatically recover after cooling	
Environment	Working Temperature	-40°~+140°F	
	Working Humidity	20 – 95% RH, non-condensing	
	Storage Temperature Humidity	-40~+176°F, 10 – 95% RH	
	Temperature Coefficient	±0.054%/°F (0 – 122°F)	
	Vibration	10~500Hz, 5G 10min/1 cycle, period for 60min each along X, Y, Z axes	
Safety & EMC	Safety Standards	UL8750 + UL1310, class 2 CAN/CSA-C22.2 No. 250.13	
	Withstand Voltage	I/P-O/P: 1.88KVAC	
	Isolation Resistance	I/P-O/P: 100MΩ / 500VDC / 77°F / 70% RH	
	EMC Emission	FCC 47 CFR Part 15, Subpart B	
Others	Net Weight	2.31lbs (1.05Kg)	With junction box: 3.84lbs (1.74Kg)
	Size	9.06" × 2.76" × 1.69" (230mm × 70mm × 43mm)	
Notes	<p>1. All parameters if NOT specially mentioned are measured at 120VAC input, rated load and 77°F of ambient temperature.</p> <p>2. Tolerance: includes set up tolerance, line regulation and load regulation.</p> <p>3. The power supply is considered as a component that will be operated in combination with final Equipment. Since EMC performance will be affected by the complete installation, the final equipment manufactures must be-qualify EMC Directive on the complete installation again.</p>		

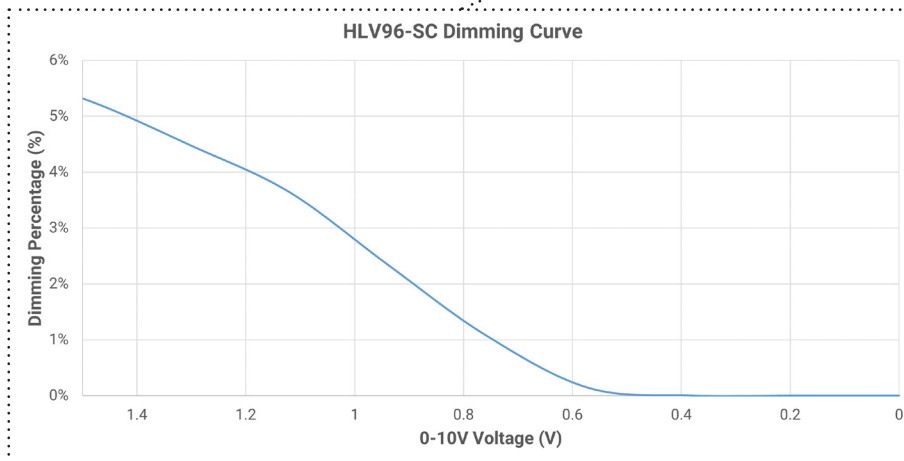


Charts

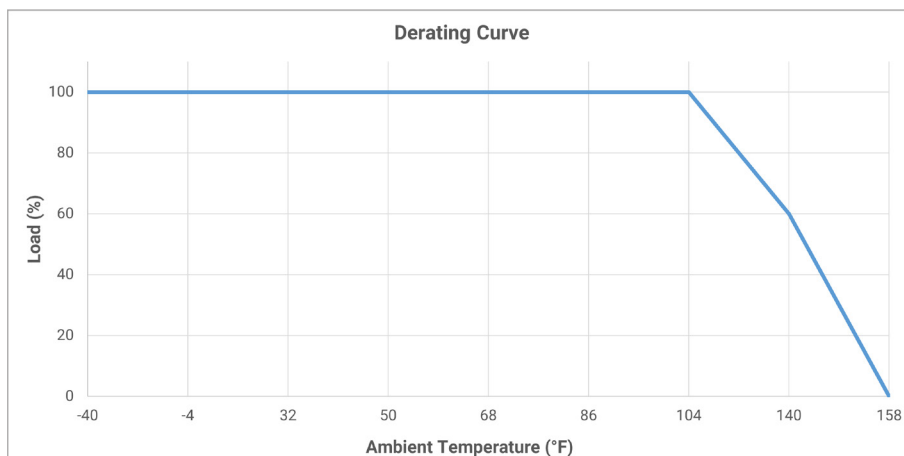
Dimming Curve (Full)



Dimming Curve (Exploded)



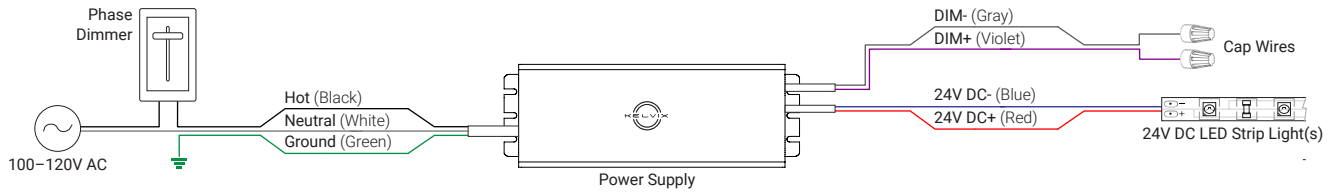
Derating Curve



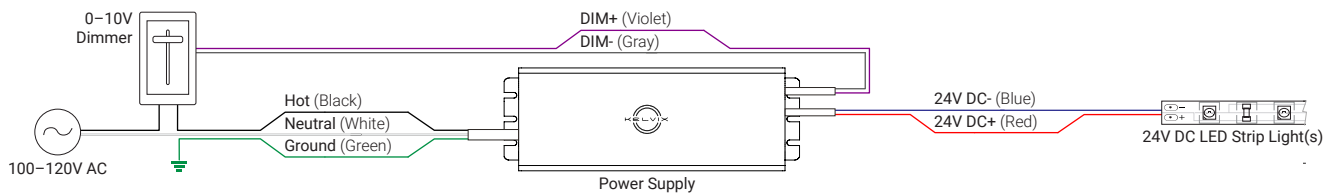


I Wiring Diagram

Primary Side Dimming (120V Only)



Secondary Side Dimming (0-10V)



Secondary Side Dimming (DMX)

