

FIXTURE TYPE _____

PROJECT NAME _____

LOCATION _____



RGBW-QC-4C

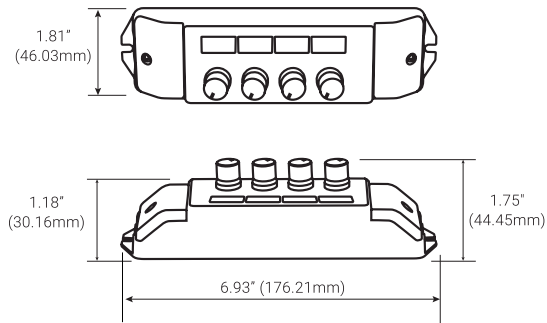
1 Zone | RGBW



I Features

- Simple and Quick 4-Channel RGBW Color Mixing
- Direct Dial 0-255 Intensity Values for Red, Green, Blue, and White
- Smooth 0-100% Intensity Adjustment With Digital Display

I Dimensions



I Series Spec

Series	RGBW-QC-4C
Receiver Input Voltage	12-24V DC
Receiver Output Voltage	4 x 5A
Length	6.93" (176.21mm)
Width	1.81" (46.03mm)
Height	1.18" (30.16mm)
IP Rating	IP20
Operating Temperature	-4°F (-20°C) to 122°F (50°C)
Storage Temperature	-4°F (-20°C) to 122°F (50°C)

I Wiring Example

