

FIXTURE TYPE _____

PROJECT NAME _____

LOCATION _____



RFC-A-WIFI

Wi-Fi Interface for RF Receivers



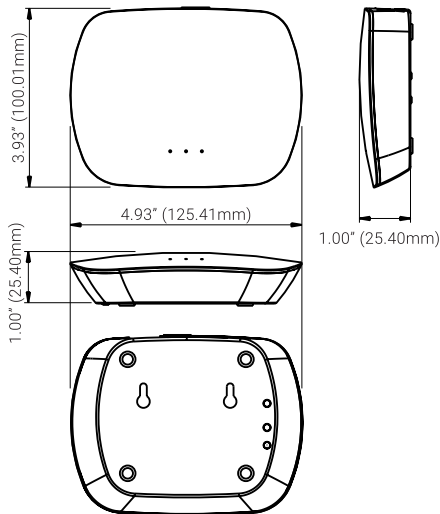
I Features

- For Controlling RF Receivers via Mobile Device
- Can be Used with Multiple RF/Wi-Fi Controllers
- Compatible with RFC-A Series Receivers
- Compatible with iOS and Android Mobile Apps
- Connects Through a Router or Directly to WiFi Device

I Series Spec

Series	RFC
Input Voltage	12V DC
Device Color	White
Length	4.93" (125.41mm)
Width	3.93" (100.01mm)
Height	1.00" (25.40mm)
IP Rating	IP20
Operation Frequency	869.5MHz
RF Range	Up to 50ft
Operating Temperature	32°F (0°C) to 104°F (40°C)
Storage Temperature	-13°F (-25°C) to 122°F (50°C)

I Dimensions



I Wiring Example

