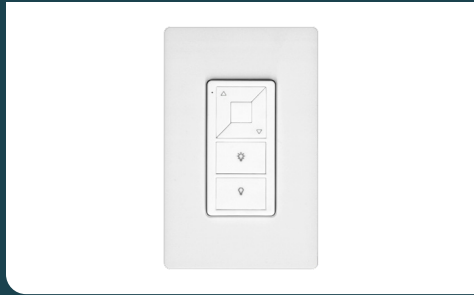


FIXTURE TYPE _____

PROJECT NAME _____

LOCATION _____



RFC-A-SC-1ZD-IW-BT-W

1 Zone | Single Color | In-Wall Control Station



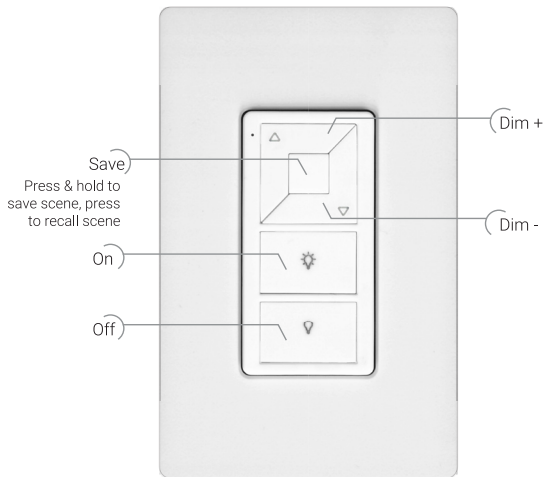
I Features

- Dimming via Push Button Controls
- Removable, Magnet-Mount Controller
- Compatible With 1-Gang Electrical Box
- Compatible With RFR-A Series Receivers
- Can Control Multiple RF Receivers
- Battery Operated (Included)

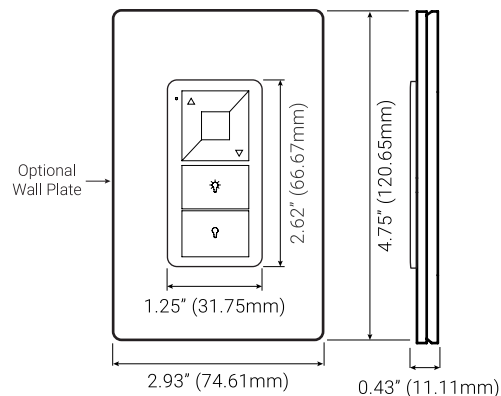
I Series Spec

| | |
|-----------------------|-------------------------------|
| Series | RFC |
| Input Voltage | 3V DC |
| Device Color | White |
| Length | 2.62" (66.67mm) |
| Width | 2.25" (57.15mm) |
| Height | 0.37" (9.52mm) |
| IP Rating | IP20 |
| Dimming Range | 1% – 100% |
| Battery Compartment | CR2032 (Included) |
| RF Wireless Control | Yes |
| Operation Frequency | 434MHz / 868MHz |
| RF Range | Up to 50ft |
| Push Buttons | Yes |
| Operating Temperature | 32°F (0°C) to 104°F (40°C) |
| Storage Temperature | -13°F (-25°C) to 122°F (50°C) |

I Operation



I Dimensions



I Installation

