

FIXTURE TYPE _____

PROJECT NAME _____

LOCATION _____



HLV192-SC

192 WATT (2 × 96W)–24 VOLT |
CLASS 2 POWER SUPPLY



Description

Light up outdoor spaces with resilience using the HLV192-SC, a 2 x 96W constant voltage LED power supply designed to thrive in diverse environmental conditions. With wide dimming compatibility catering to various systems, this power supply provides a versatile solution for outdoor applications. Featuring protective measures and a design for consistent performance, the HLV192-SC sets the standard for durability and adaptability. UL-listed as Class 2 and suitable for Dry, Damp, and Wet locations, it delivers reliable illumination in various outdoor settings.

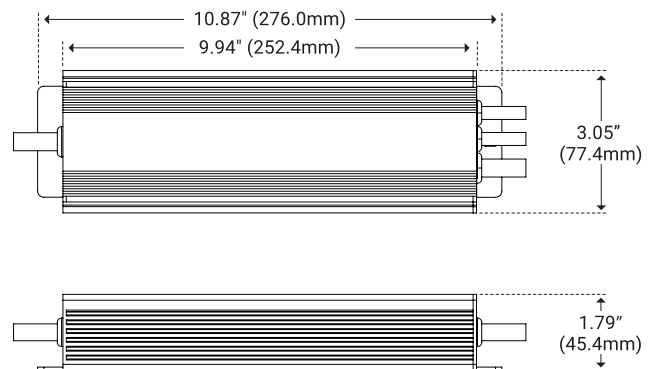
Specifications

Series	HLV192-SC
Input Voltage	100–277V AC
Output Voltage	24V DC / Constant Voltage
Max Wattage	192W (2 × 96W)
Temp Range	-40°F(-40°C) – 140°F (60°C)
Dimensions	10.87" × 3.05" × 1.79"
Classification	Class 2
Enclosure	IP66

Features

- Flicker-free Dimming Down to ≤1%
- TRIAC, ELV, MLV, or 1–10V Dimming
- Protections: Short Circuit/Over Current/Over Voltage
- Free Air Convection Cooling
- UL-listed Class 2
- Suitable for Dry/Damp/Wet Location

Dimensions



Series List

Model Name	Rated Input Voltage	Rated Output Power	Rated Output Voltage	Output Current	Note
HLV192-SC	100-277V AC	96W × 2	24V × 2	0-4000mA × 2	2 Channel Output



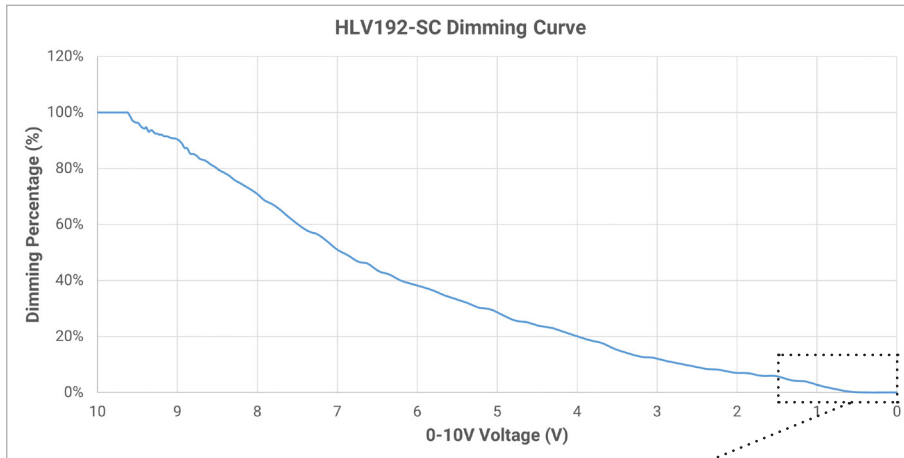
I Series Data

Model		HLV192-SC
Certificates		UL cUL FCC Class 2
Output	DC Voltage	24V
	Rated Current	2×4A
	Rated Power	192W (2×96W)
	Voltage Tolerance	±0.5V
	Voltage Regulation	±0.5%
	Load Regulation	±1%
Input	Voltage Range	100-277VAC
	Frequency Range	47-63Hz
	Power Factor (Typ.) @ full load	0.99 @ 120VAC
	THD (Typ.) @ full load	<20% @ 120VAC
	Efficiency (Typ.) @ full load	88% @ 120VAC
	AC Current (Max.)	2.3A
	Inrush Current (Typ)	19A, 50%, 1.3ms @ 120VAC
	Leakage Current	<0.50mA
Protection	Short Circuit	Shut down o/p voltage, re-power on to recover after fault condition is removed
	Over Loading	≤120% HICCUP MODE, auto-recovery
	Over Temperature	212°F±18°F shut down o/p voltage, automatically recover after cooling
Environment	Working Temperature	-40°~+140°F
	Working Humidity	20~90% RH, non-condensing
	Storage Temperature Humidity	-40~+176°F, 10~95% RH
	Temperature Coefficient	±0.054%/°F (0~122°F)
	Vibration	10~500Hz, 5G 10min/1 cycle, period for 60min each along X, Y, Z axes
Safety & EMC	Safety Standards	UL8750 + UL1310
	Withstand Voltage	I/P-O/P: 1.88KVAC
	Isolation Resistance	I/P-O/P: 100MΩ / 500VDC / 77°F / 70% RH
	EMC Emission	FCC 47 CFR Part 15, Subpart B
Other	Net Weight	3.74lbs (1.7Kg)
	Size	10.94" × 3.07" × 1.85" (278.0mm × 78.0mm × 47.0mm)
Notes	<p>1. All parameters if NOT specially mentioned are measured at 120VAC input, rated load and 77°F of ambient temperature.</p> <p>2. To extend the driver's using life, please reduce the loading at lower input voltage.</p>	

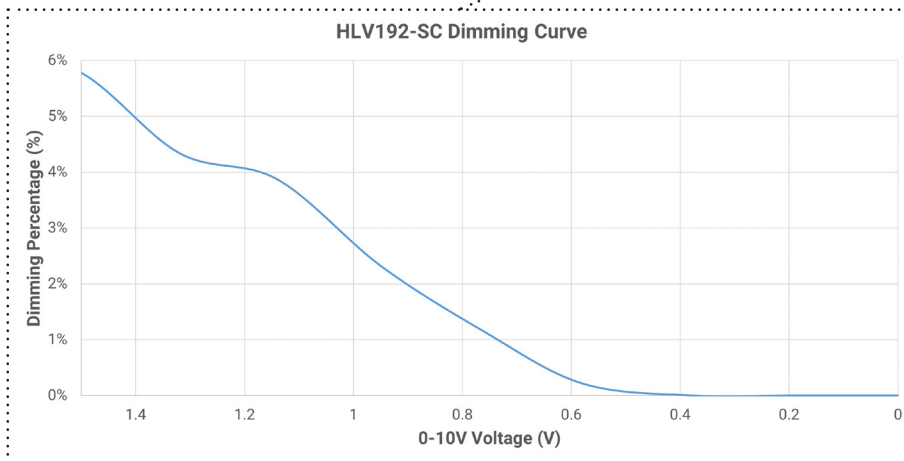


I Charts

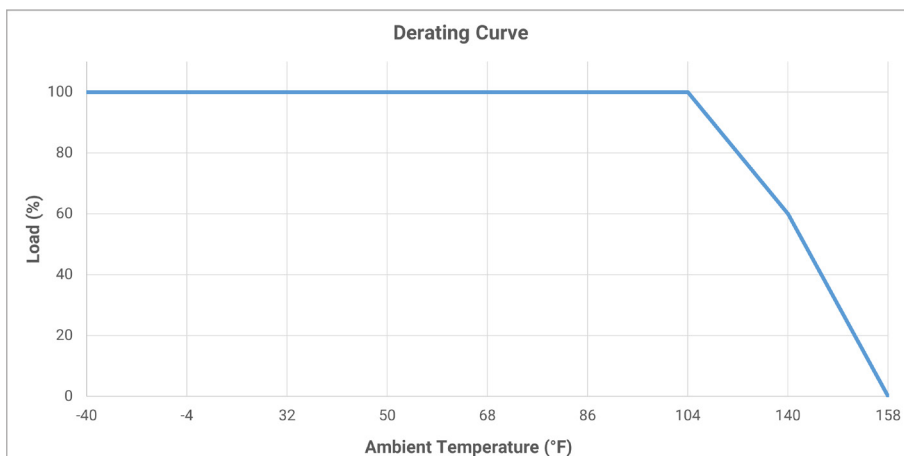
Dimming Curve (Full)



Dimming Curve (Exploded)



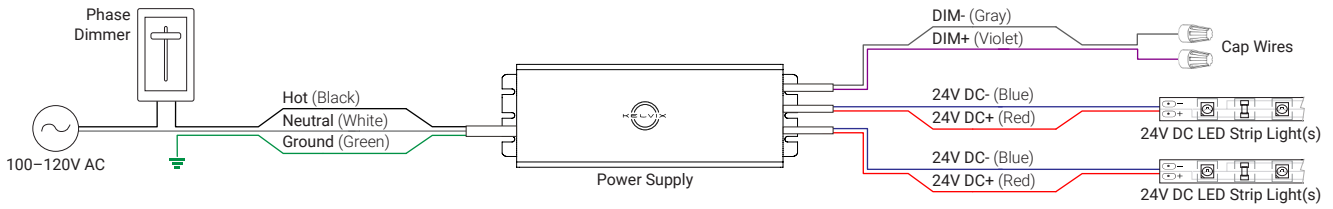
Derating Curve



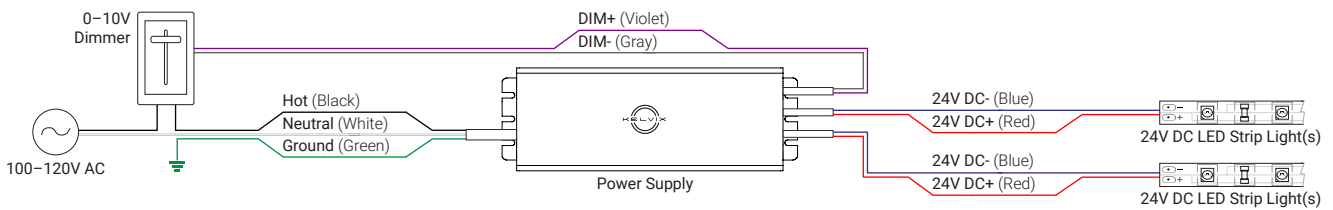


I Wiring Diagram

Primary Side Dimming (120V Only)



Secondary Side Dimming (0-10V)



Secondary Side Dimming (DMX)

