

FIXTURE TYPE _____

PROJECT NAME _____

LOCATION _____



DMXD-5C-8A-UNV

5 Channel | 8 AMP/CH | DMX Decoder



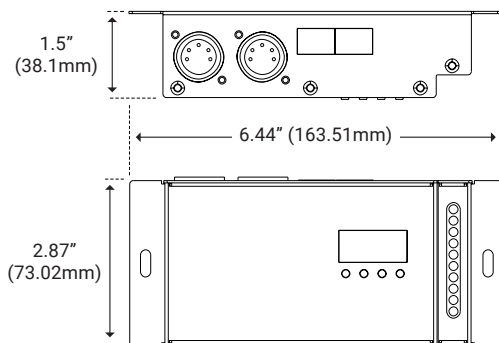
I Features

- RGBW 5-Channel DMX Decoder
- Standard DMX512 Compliant Interface
- Digital Numeric Display for DMX Address Assignment
- Adjustable Pulse Width Modulation Frequency
- Adjustable Dimming Curve Gamma Value
- Accepts DMX via XLR, RJ45, and Terminal Block

I Series Spec

Series	DMXD
Input Voltage	12–24V DC
Output	5 × 8A
Constant Voltage	Yes
Length	6.44" (163.51mm)
Width	2.87" (73.02mm)
Height	1.5" (38.1mm)
IP Rating	IP20
Dimming Range	0.4% – 100%
Operating Temperature	-13°F (-25°C) to 122°F (50°C)
Storage Temperature	-4°F (-20°C) to 167°F (75°C)

I Dimensions



I Wiring Example

