

FIXTURE TYPE _____

PROJECT NAME _____

LOCATION _____



DMXD-4C-5A-TB

4 Channel | 5 AMP/CH | DMX Decoder



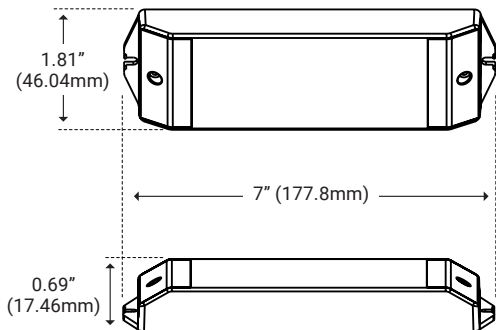
I Features

- RGBW 4-Channel DMX Decoder
- Standard DMX512 Compliant Interface
- Digital Numeric Display for DMX Address Assignment
- Adjustable Pulse Width Modulation Frequency
- Switchable Logarithmic or Linear Dimming

I Series Spec

Series	DMXD
Input Voltage	12–24V DC
Output	4 x 5A
Constant Voltage	Yes
Length	7" (177.8mm)
Width	1.81" (46.04mm)
Height	0.69" (17.46mm)
IP Rating	IP20
Dimming Range	0.4% – 100%
Operating Temperature	-13°F (-25°C) to 122°F (50°C)
Storage Temperature	-4°F (-20°C) to 167°F (75°C)

I Dimensions



I Wiring Example

