

FIXTURE TYPE _____

PROJECT NAME _____

LOCATION _____



DALI-1CH

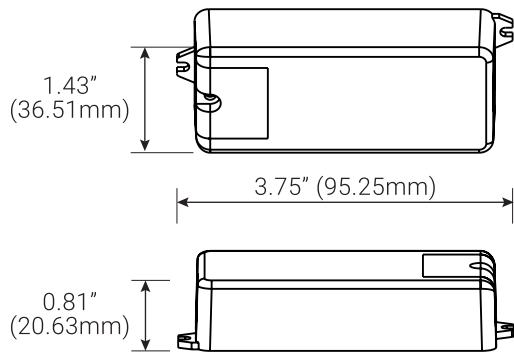
1 Channel | Single Color | DALI Dimmer



I Features

- 1-Channel Dali Dimming Module
- 0-100% Logarithmic Dimming Range
- 256 Dim Increments for Smooth Transitions
- Analog Dim Driver with DALI Signal Input
- PWM Output

I Dimensions



I Series Spec

Series	DALI-1CH
Input Voltage	12-24V DC
Output Voltage	1 x 8A
Constant Voltage	Yes
Device Color	White
Length	3.75" (95.25mm)
Width	1.43" (36.51mm)
Height	0.81" (20.63mm)
IP Rating	IP20
Dimming Range	1% - 100%
Dim Increments	0-256
Dimming Standard	PWM
RF Range	Up to 50ft
Operating Temperature	-4°F (-20°C) to 122°F (50°C)
Storage Temperature	-4°F (-20°C) to 167°F (75°C)

I Wiring Example

