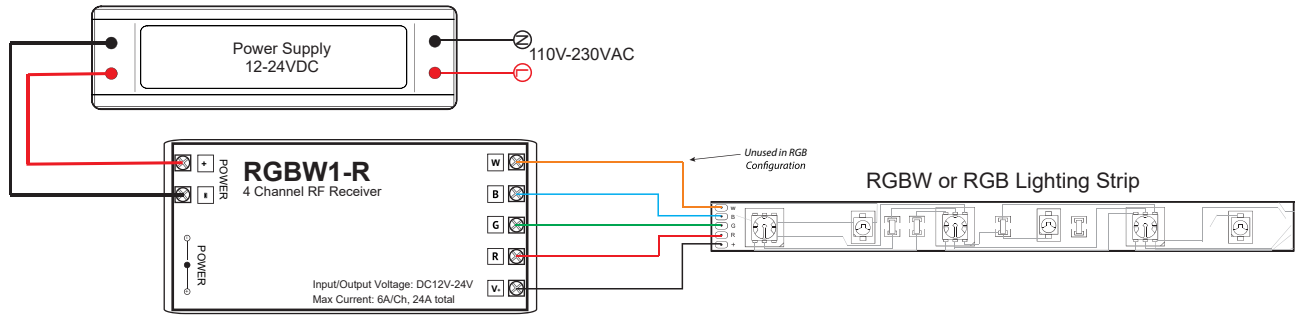




# RGBW1-KIT

## WIRING INSTRUCTIONS

- 1 Connect RGBW1-R receiver to power supply and LED lighting strip(s) as shown below:



- 2 Once all connections have been made, apply power to RGBW1-R receiver.

## PAIRING INSTRUCTIONS

RGBW1-C  
Handheld Remote Control



RGBW1-R  
RF Receiver



- 3 Confirm power to RF receiver(s) and insert two AAA batteries into handheld remote.
- 4 To assign RF receiver to remote control, first power the RF receiver down and back up again, then briefly press the ON [ ON ] button on the remote control within three seconds of powering the receiver back on. The lights will briefly flash to indicate pairing assignment was received.
- 5 Repeat step 4 for any additional RF receivers in the system.

Note: Multiple receivers can be paired with the same remote control. Receivers assigned to the same remote will function in unison.

Note: Multiple remote controls can be paired with the same receiver.

Note: To erase all stored pairing memory from RF receiver, first power down the receiver, then power the receiver back up, immediately pressing a zone button it is linked to five times within the first three seconds of powering back on. The lights connected to that receiver will blink six times to indicate its pairing memory has been erased.