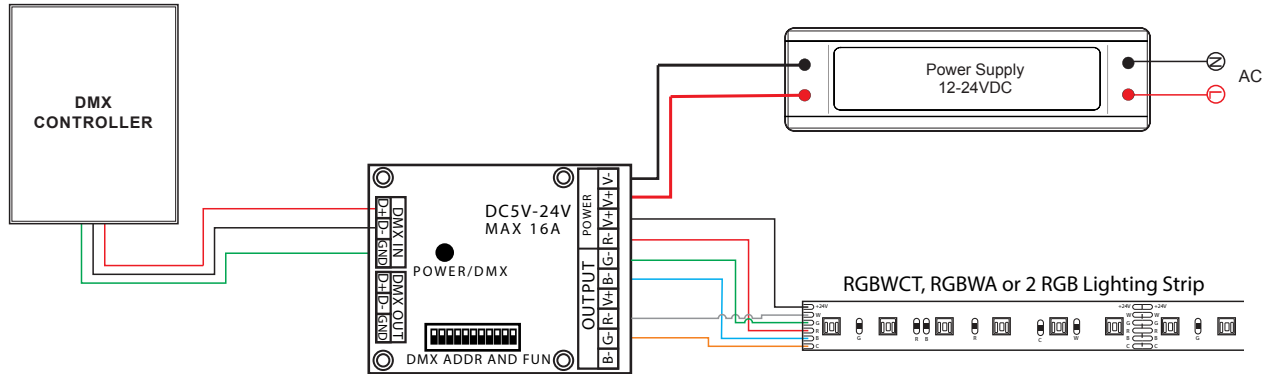




DMX-26506

SETUP INSTRUCTIONS

- 1 Connect power supply, DMX signal, and LED lighting strip(s) to the DMX512 decoder as shown below:



- 2 Once all connections have been made, set decoder to desired DMX start address:

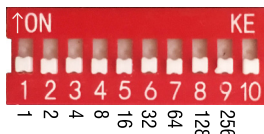
- a) Scan QR code for a time-saving online conversion tool.



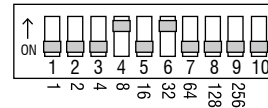
<http://www.sabretechnology.co.uk/calc.asp>

- b) Manual Instructions:

Use DIP Switch to select address. To set DMX address, first look at the sideways numbers printed below switching board (1, 2, 4,... 256); These are DMX addresses. To achieve desired address, add up these values then flip corresponding switches to "ON" position.



For example, desired DMX address is 40. The value of switch 6 (DMX address 32) + the value of switch 4 (DMX address 8) = DMX value 40. Therefore, move switch 6 and 4 to the "ON" position (see example below).



- 3 Refer to setup instructions of system's DMX controller for completion of setup.

Note: Multiple decoders set to the same DMX address will function in unison.

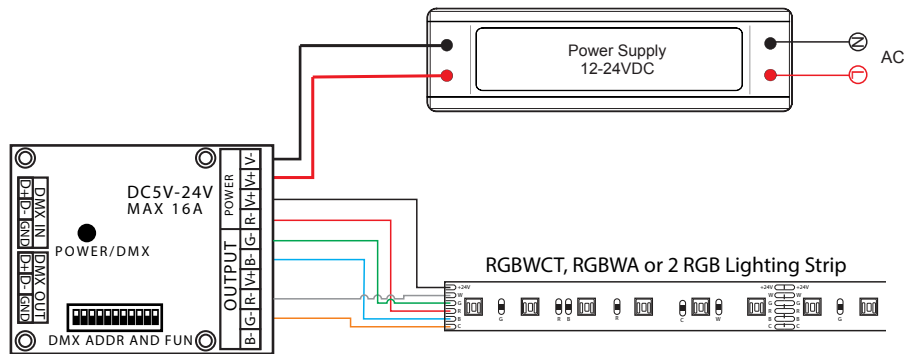
Note: The DMX-26506 decoder complies to standard DMX512 protocol and is compatible with any third party standard DMX512 controller.



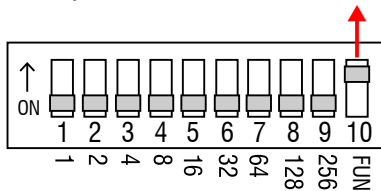
DMX-26506

TESTING INSTRUCTIONS

- 1) Ensure decoder is connected to power supply and RGBW or RGB Lighting strip as shown below:

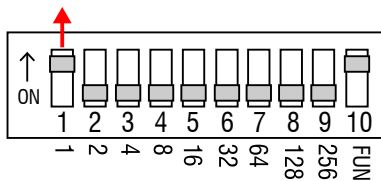


- 2) Using a small screwdriver, flip FUN switch located on the dip switch board to the "ON" position.

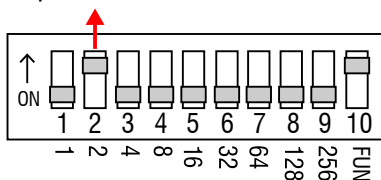


- 3) Follow instructions below to test various color modes:

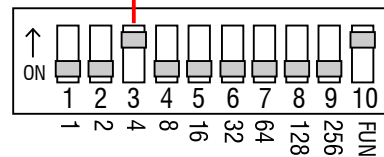
- a) To test **red**, flip switch 1 to the "ON" position.



- b) To test **green**, flip switch 2 to the "ON" position.



- c) To test **blue**, flip switch 3 to the "ON" position.



- d) To test **white**, flip switch 7 to the "ON" position.

