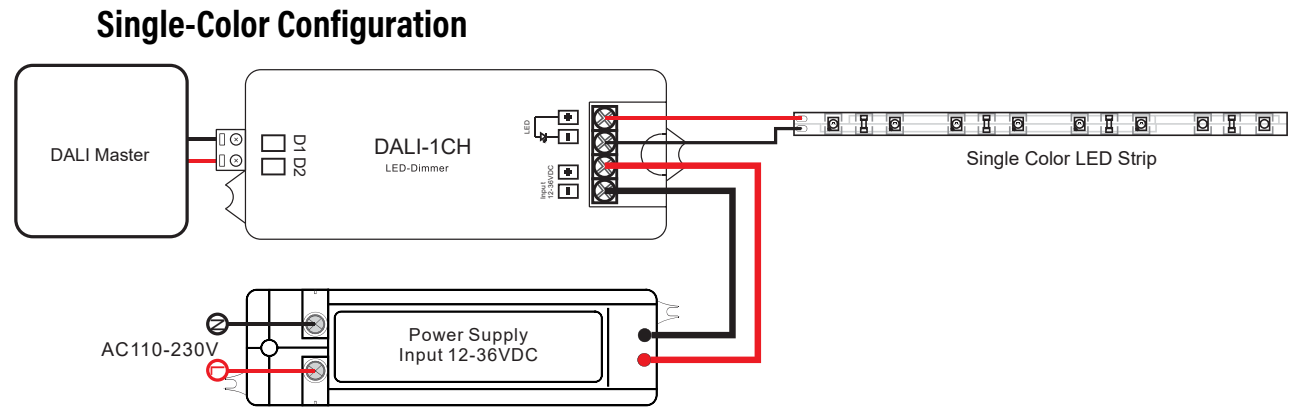




DALI-1CH

WIRING INSTRUCTIONS

- 1 Remove the white plastic cover and connect power supply and LED lighting strip(s) to the controller as shown below:



- 2 This product is designed with 1 DALI address input and 1 channel output, DALI address is assigned by DALI Master controller automatically, please refer to user manuals of compatible DALI Masters for specific operations.