

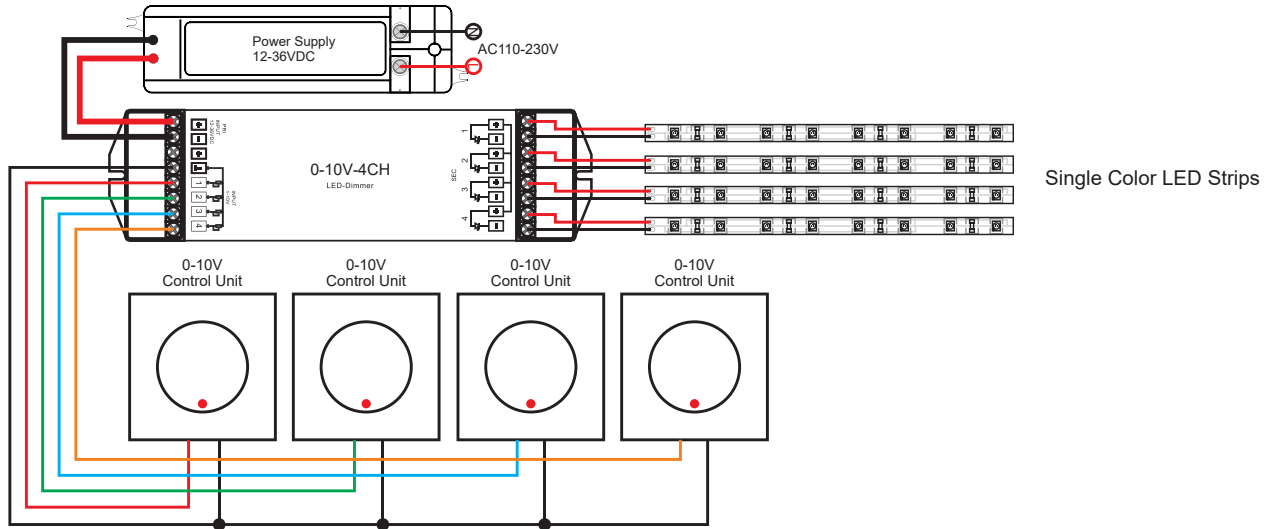


0-10V-4CH

WIRING INSTRUCTIONS

- 1 Remove the two white plastic covers and connect power supply and LED lighting strip(s) to the controller following the option below that best represents your lighting configuration:

Single-Color Configuration



CCT Configuration

