

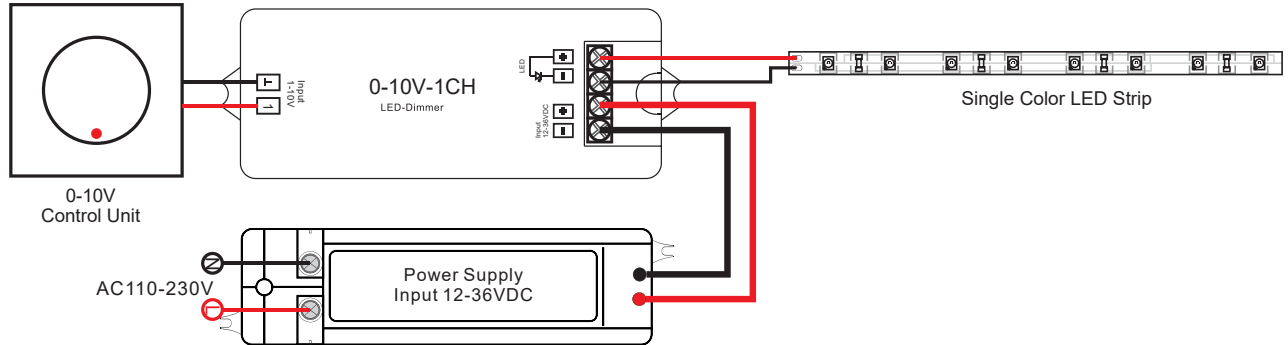


# 0-10V-1CH

## WIRING INSTRUCTIONS

- 1 Remove the white plastic cover and connect power supply and LED lighting strip(s) to the controller following the option below that best represents your lighting configuration:

### Single-Color Configuration



### CCT Configuration

