

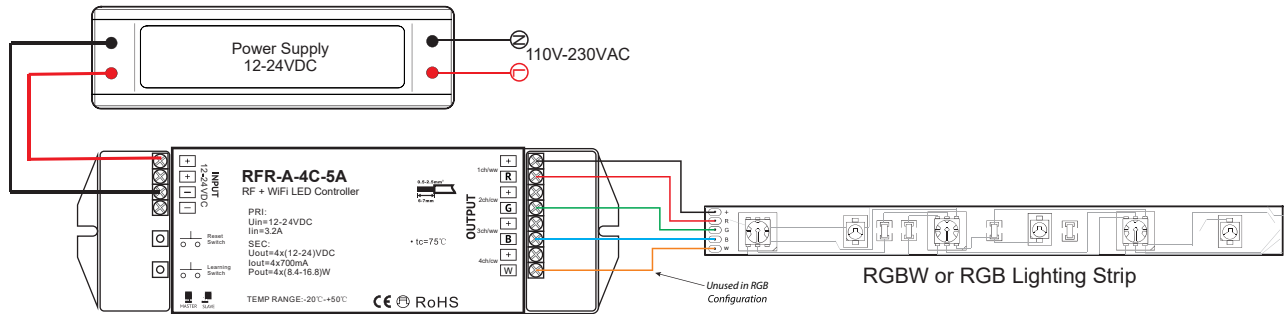


# RFR-A-4C-5A

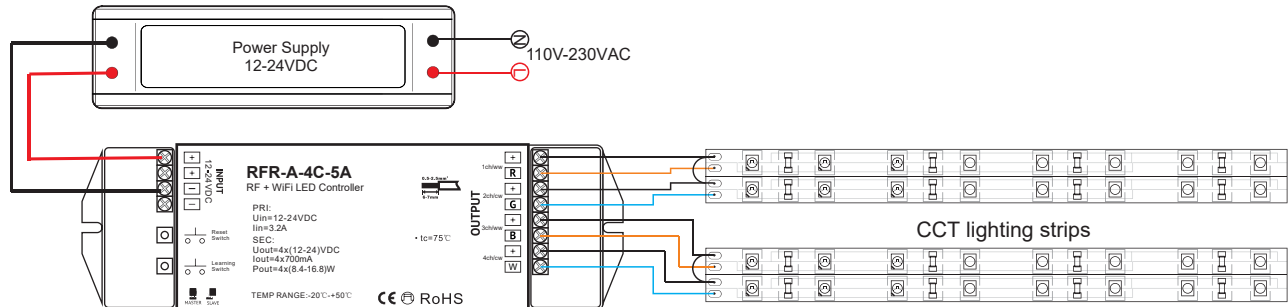
## WIRING INSTRUCTIONS

- 1 Remove the two white plastic covers and connect power supply and LED lighting strip(s) to the RF receiver following the option below that best represents your lighting configuration:

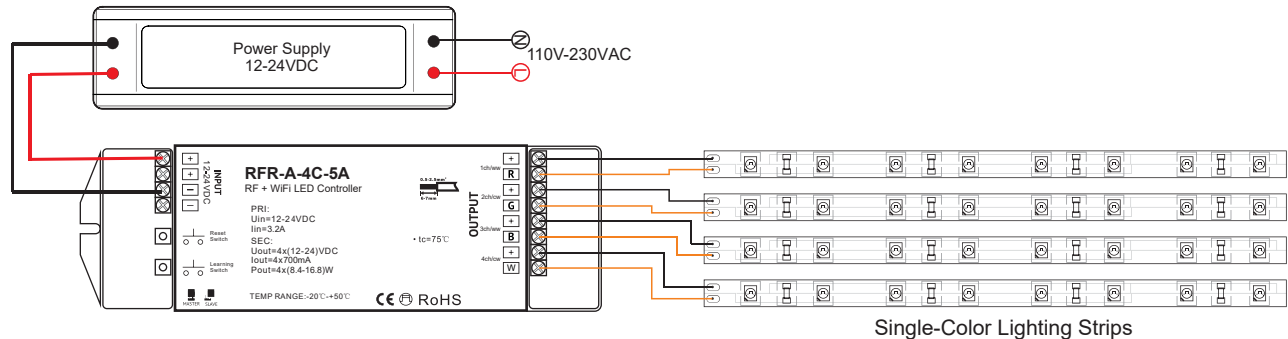
### RGBW/RGB Configuration



### CCT Configuration



### Single-Color Configuration



- 2 Refer to setup instructions of system's RF controller for completion of setup.