



Mini ULV96

Installation Instructions

⚠ SAFETY PRECAUTIONS

Read all installation instructions carefully before starting the installation.

Installation should only be performed by qualified electricians.

Ensure power is turned off at the circuit breaker before beginning installation.

Do not install if the product has any visible damage.

Verify that the input voltage matches the power supply specifications (120-347V AC).

Only use with compatible LED fixtures and controls.

Do not overload the power supply beyond its rated capacity.

Install in an indoor, dry, and well-ventilated area free from explosive gases and vapors.

Operate within the specified temperature range (-31°F - 131°F).

Ensure applicable wire is installed between driver, fixture, and controls. Factor in voltage drop, amperage rating, and type. Inadequate wire installation could cause overheating and fire.

Properly ground the power supply to avoid electric shock or fire hazards.

Ensure installation complies with national and local electrical codes and standards.

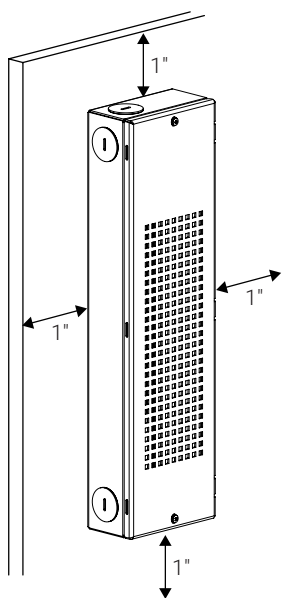
If the power supply fails, disconnect it and seek professional service. Do not remove or obscure warning labels.

SPECIFICATIONS

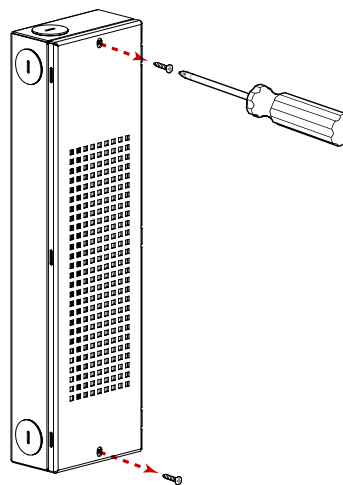
Input Voltage	120-347V
Output Voltage	24V DC Constant Voltage
Max Wattage	96W

Dimming Options	ELV, MLV, 0-10V, Triac
Operating Temp	-31°F (-35°C) - 131°F (55°C)
Storage Temp	-40°F (-40°C) - 185°F (85°C)
Warranty	10 Years

1 | Ensure that there is a minimum clearance of 1 inch on all sides where the power supply will be installed.



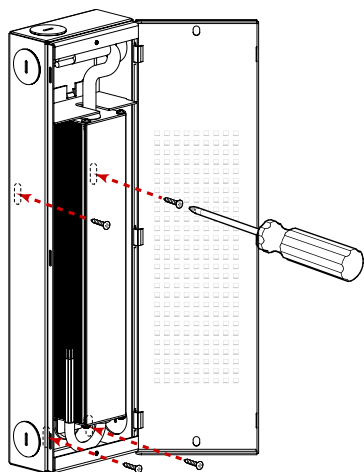
2 | Unscrew the top cover to gain access inside the power supply.



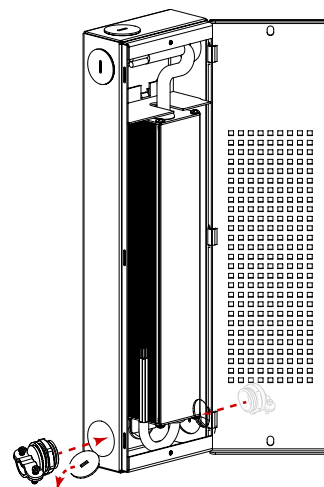
Mini ULV96

Installation Instructions

3 | Securely fasten the power supply to the mounting surface at the designated holes.



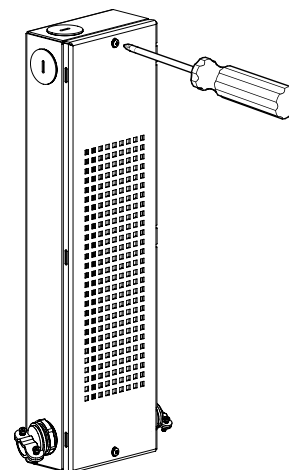
4 | Install romex connectors in 1/2 knockouts where necessary.



5 | Refer to Mini ULV96 Wiring Options (next page) to configure setup for the appropriate application.



6 | Secure the top cover.

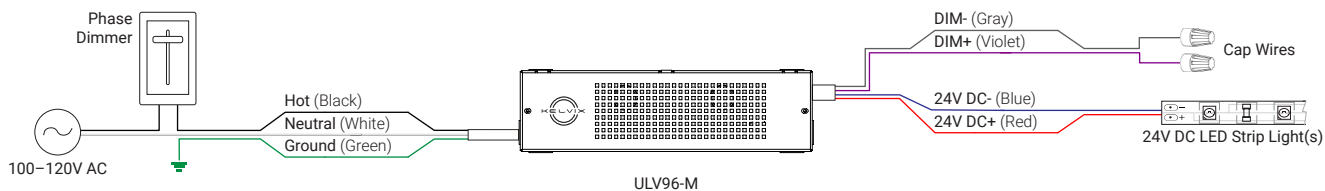




Mini ULV96

Wiring Options

Primary Side Dimming (120V Only)



Secondary Side Dimming (0-10V)

