



Linear Low Voltage Tape (Indoor)

Installation Instructions

⚠ SAFETY PRECAUTIONS

Do not power on LED Strip until entire tape is removed from reel.

Do not cut LED Strip with power connected.

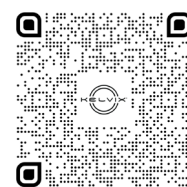
Do not fold, crease, twist, or bend LED Strip at sharp angles.

Connect power feed to appropriate power source or controls.

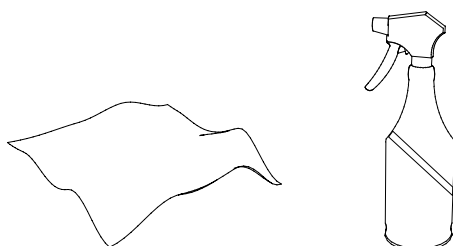
Ensure power supply voltage is compatible with tape product.

Refer to Power Chart to ensure LED Strip length is suitable for power supply.

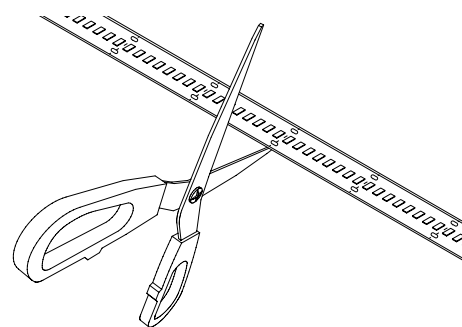
INSTALL VIDEO



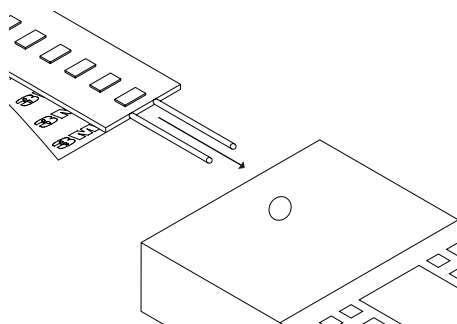
1 | Prepare mounting surface by removing any dirt, debris, or moisture.



2 | If necessary, cut INDOOR LED strip to desired length at indicated cut intervals.



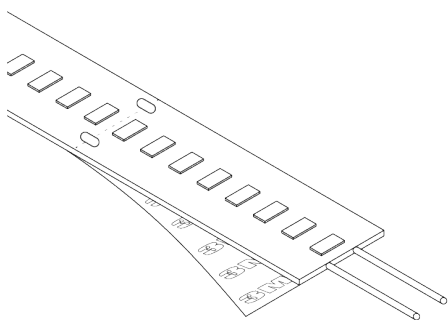
3 | Ensure power feed on LED strip is oriented toward power source.



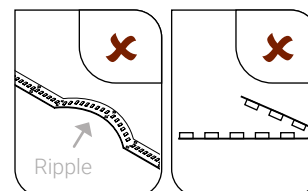
Linear Low Voltage Tape (Indoor)

Installation Instructions

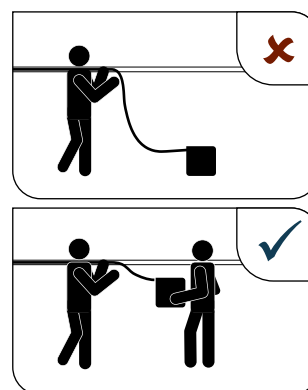
- 4** | Begin peeling back protective liner to expose adhesive. Adhere LED strip to cleaned smooth, non-porous mounting surface by removing the liner in short increments.



AVOID RIPPLES & OVERBENDING
When removing the protective liner and applying the tape to the surface, ensure that tape is installed without any ripples or creases.



TWO PEOPLE REQUIRED
When installing, apply tape to the mounting surface at an angle no greater than 40°. Depending on the installation, two people may be needed: one to install the tape into the channel and the other to assist by carrying the product, ensuring the tape maintains the 40° bending angle.



- 5** | Go back and gently press down along entire strip to ensure firm adhesion and no air pockets.

