



# CrossBar™ Drop Tile Mount

## Installation Instructions

### ⚠ SAFETY PRECAUTIONS

Products should be installed and serviced by a qualified, licensed electrician in accordance with applicable local and national electrical safety code.

Never use currents or voltages that are not compatible.

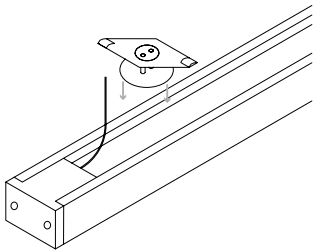
Never install within 10 ft less from the nearest edge of a pool, spa, fountain, or similar location.

Never modify or take apart Kelvix components beyond instructions or the warranty will be void.

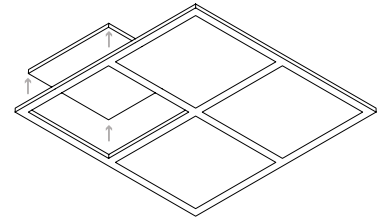
### INSTALL VIDEO



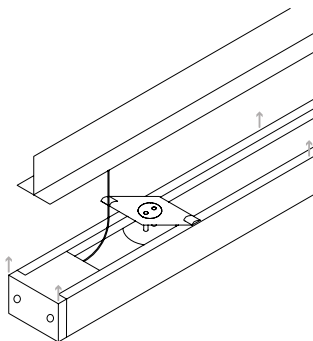
- 1** | Insert the drop tile mounts into the CrossBar fixture.



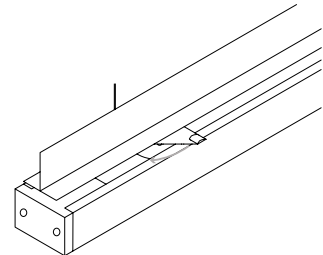
- 2** | Remove adjacent ceiling tiles and connect fixture to power supply.



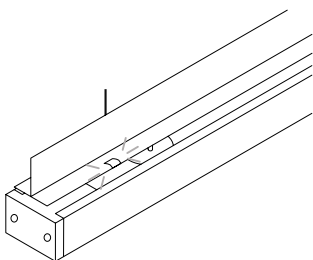
- 3** | Press the top face of the drop tile mounts flush to the T-bar.



- 4** | Turn the drop tile mounts counterclockwise against the T-bar.



- 5** | Confirm that the drop tile mounts are parallel and secure to the T-bar.



- 6** | Replace tile. Connect multiple fixtures in series using Y-split cable (CB-FMC-Y2).

