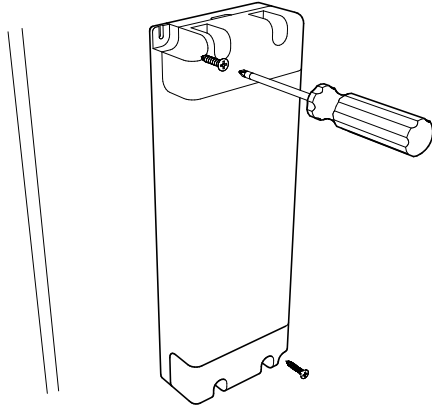




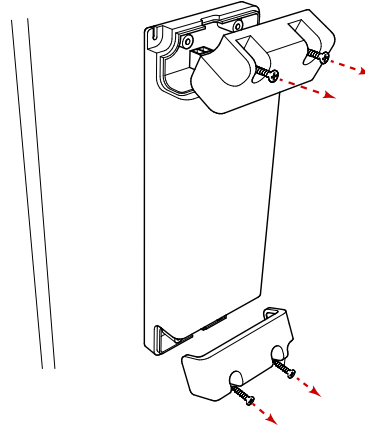
# 25HE-24V

## INSTALLATION INSTRUCTIONS

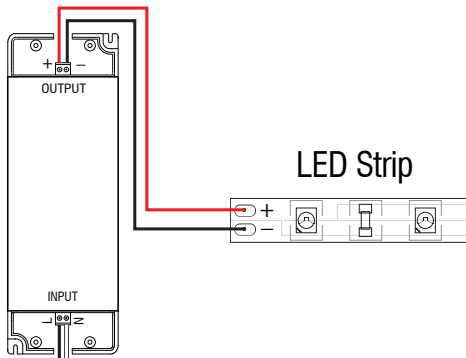
① Secure power supply to mounting surface



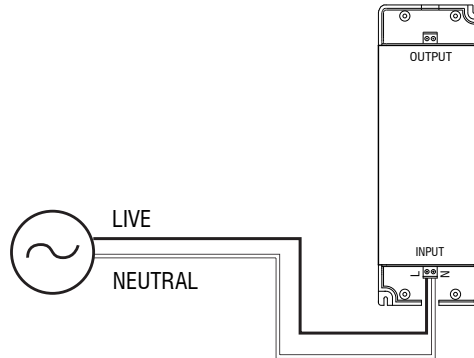
② Remove wiring covers



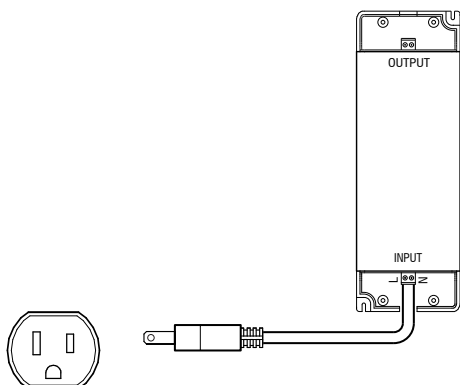
③ Observe polarity and connect power supply output and LED strip



④ Connect primary side wires to AC line voltage power source



⑤ Optional: connect plug-in power feed to power supply in lieu of hardwire connection



⑥ Replace wiring covers

