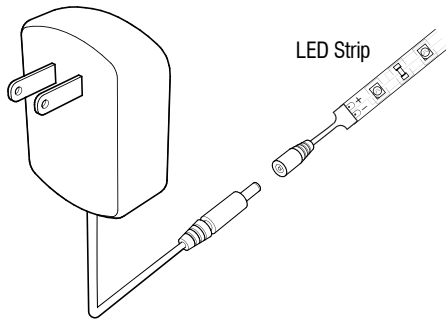




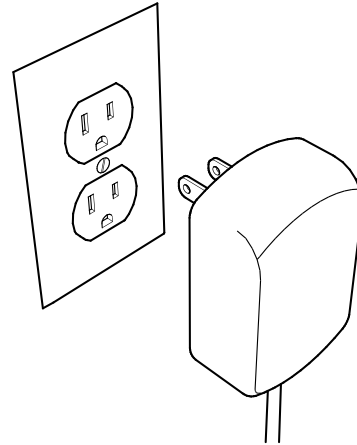
24PW-24V

INSTALLATION INSTRUCTIONS (DC CONNECTION)

- 1 Plug power supply into FML or other compatible DC plug accessory

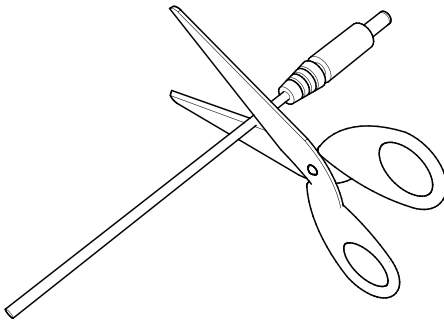


- 2 Plug power supply into standard electrical outlet

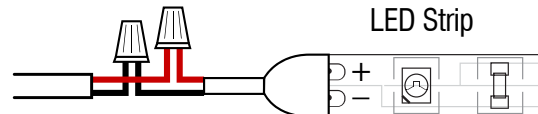


HARDWIRE CONNECTION

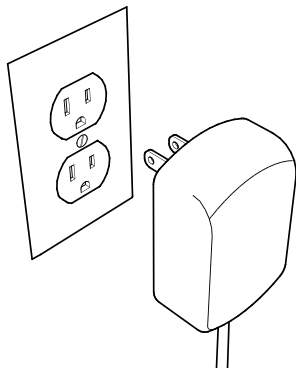
- 1 Remove DC plug from end of power supply



- 2 Observe polarity and connect freshly cut end to pre-installed LED power feed



- 3 Plug power supply into standard electrical outlet



Note: LED tape wattage is not to exceed wattage of power supply. Double check before installation!